

# AC Inlets

# Power Supply

# Connectors



Contents ..... 1

AC Inlets

    AC Inlets ..... 2 - 4

    AC Inlets (for Lead Wire) ..... 5

Power Supply Connectors

    Low-Profile Type

        3 Poles ..... 6

        5 Poles ..... 7

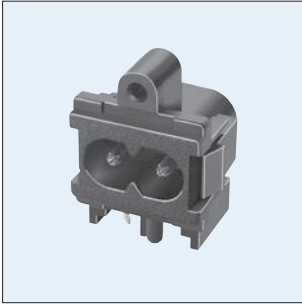
    Standard Type

        3 Poles ..... 8

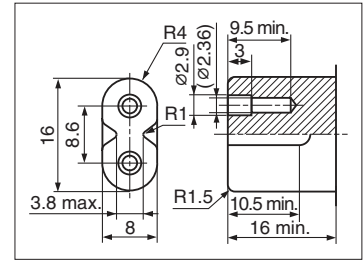
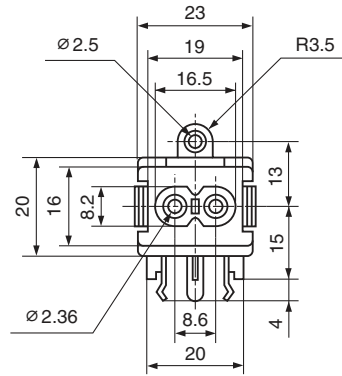
        4 Poles ..... 9

        4 to 5 Poles ..... 10

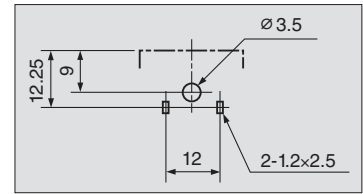
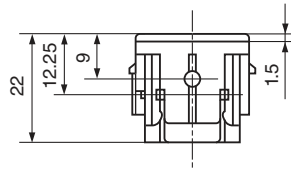
**HSC0528**



**HSC0528-016031**



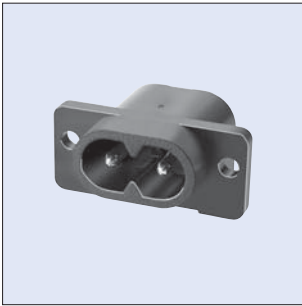
Mate Plug



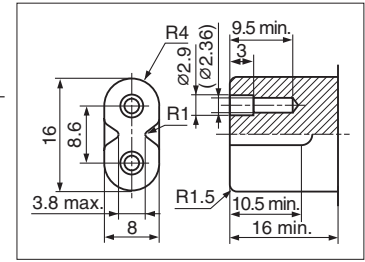
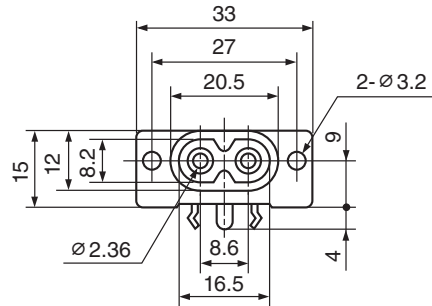
Hole Layout  
(Bottom View)

Rating	7A 125V AC 2.5A 250V AC
Dielectric Strength	4000V AC
Insulation Resistance	100MΩ min. (at 500V DC)
Certification	UL, VDE, SEMKO, DEMKO

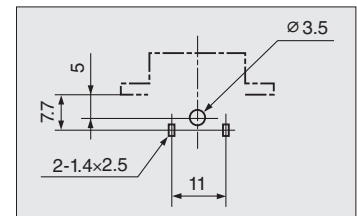
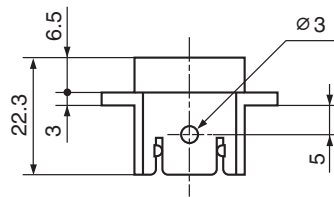
**HSC0560**



**HSC0560-016020**



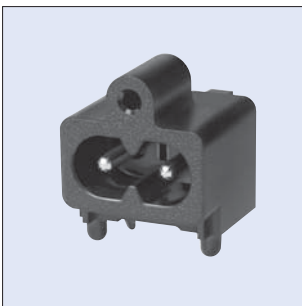
Mate Plug



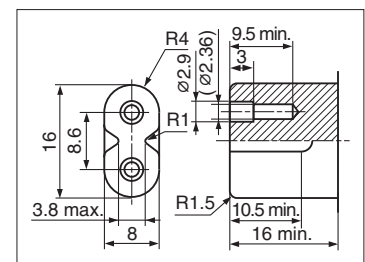
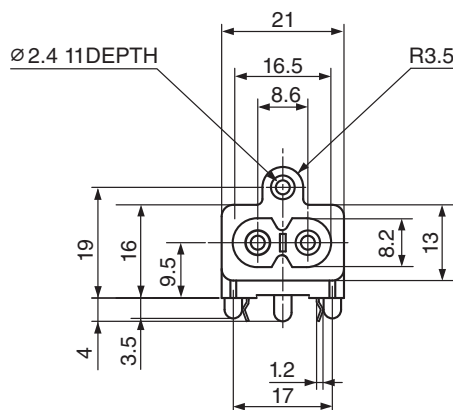
Hole Layout  
(Bottom View)

Rating	2.5A 250V AC
Dielectric Strength	4000V AC
Insulation Resistance	100MΩ min. (at 500V DC)
Certification	VDE

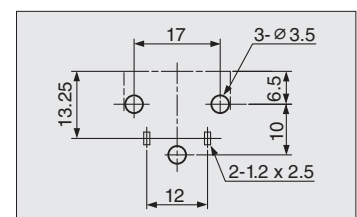
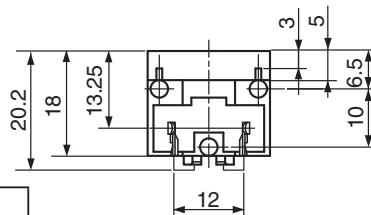
**HSC0609**



**HSC0609-016030**



Mate Plug



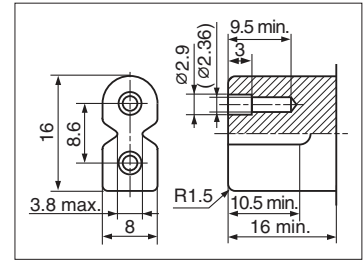
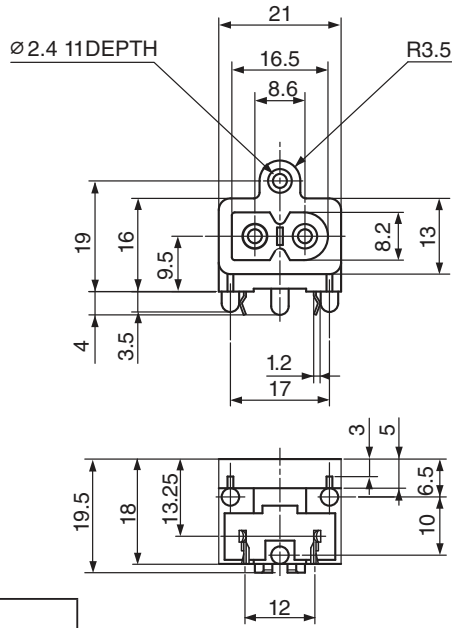
Hole Layout  
(Bottom View)

Rating	2.5A 250V AC
Dielectric Strength	4000V AC
Insulation Resistance	100MΩ min. (at 500V DC)
Certification	VDE, SEMKO, DEMKO, CCC, UL

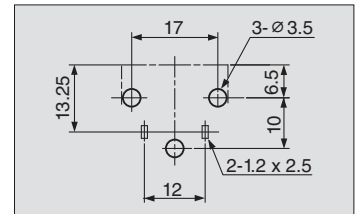
**HSC0610**



**HSC0610-016030**



Mate Plug



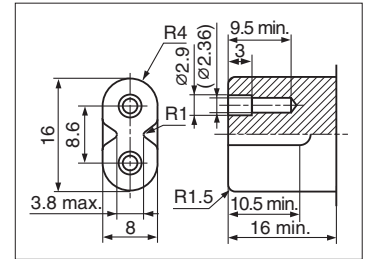
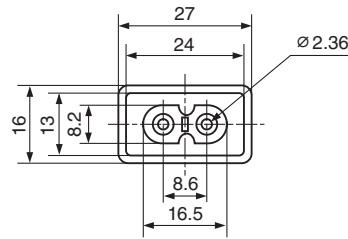
Hole Layout  
(Bottom View)

Rating	2.5A 250V AC
Dielectric Strength	4000V AC
Insulation Resistance	100M $\Omega$ min. (at 500V DC)
Certification	UL, CSA, CCC

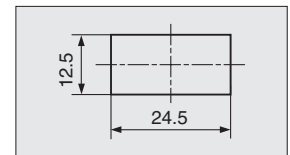
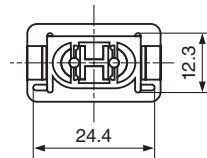
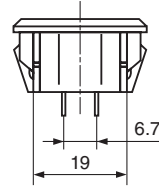
**HSC0573**



**HSC0573-010040**



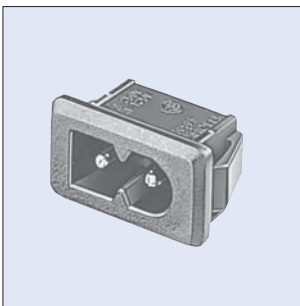
Mate Plug



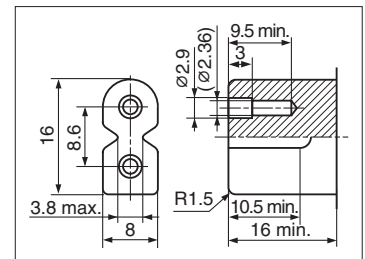
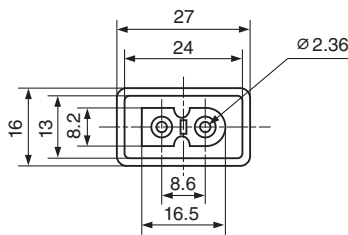
Chassis Installation Hole  
(t = 2.3 to 2.7)

Rating	2.5A 250V AC
Dielectric Strength	4000V AC
Insulation Resistance	100MΩ min. (at 500V DC)
Certification	UL, CSA, VDE, SEMKO, CCC

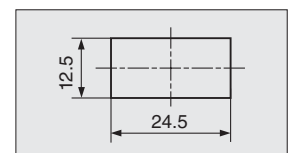
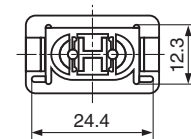
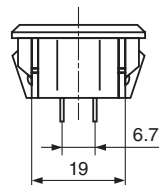
**HSC0583**



**HSC0583-010030**



Mate Plug

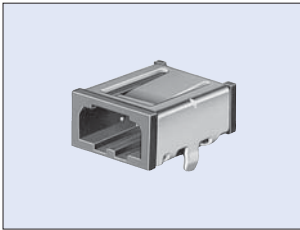
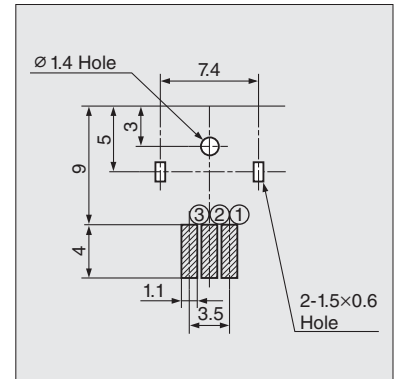
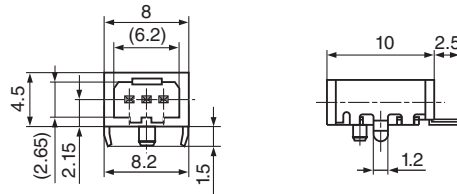


Chassis Installation Hole  
(t = 2.3 to 2.7)

Rating	2.5A 250V AC
Dielectric Strength	4000V AC
Insulation Resistance	100MΩ min. (at 500V DC)
Certification	UL, CSA, VDE

## TCP7331

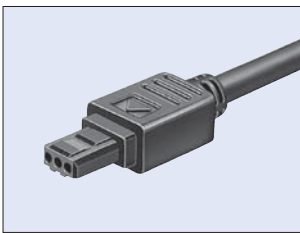
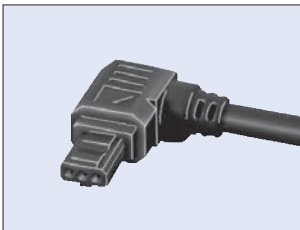
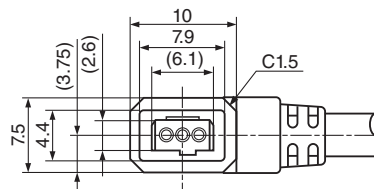
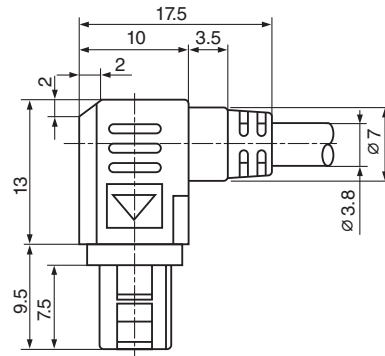
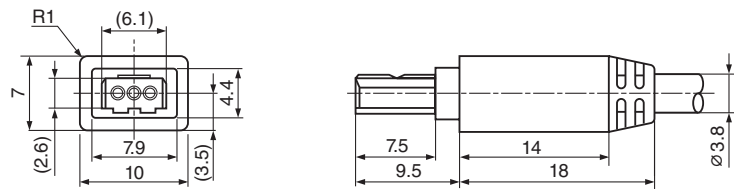
Receptacle H=4.5 mm


**TCP7331-010177**

**Hole Layout  
(Bottom View)**

Arrangement			
Voltage Classification	$3.15 < V \leq 6.3$	$6.3 < V \leq 10.5$	$10.5 < V \leq 12$
Model No.	TCP7331-010177	TCP7331-110177	TCP7331-210177

## TCS7331

Socket Cable


**TCS7331-13  
Straight Type**

**TCS7331-63  
Right Angle Type**


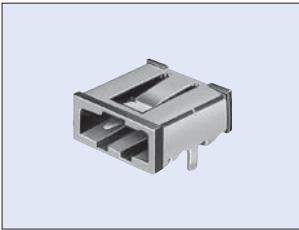
Rating	3A 12V DC max.
Insulation Resistance	100MΩ min. at 500V DC
Dielectric Strength	500V AC / 1 minute
Contact Resistance	30mΩ max.
Insertion Force	29N max.
Withdrawal Force	4.9N - 15N

Arrangement				
Voltage Classification	$3.15 < V \leq 6.3$	$6.3 < V \leq 10.5$	$10.5 < V \leq 12$	
Model No.	Straight Type	TCS7331-13	TCS7331-43	TCS7331-73
	Right Angle Type	TCS7331-33	TCS7331-63	TCS7331-93

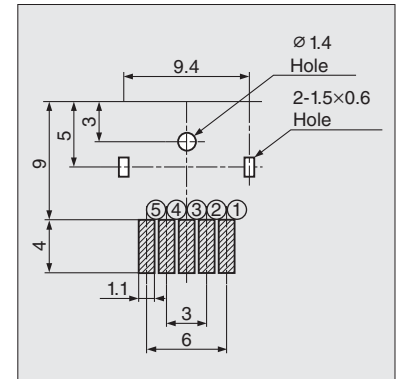
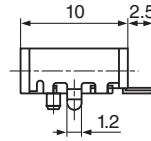
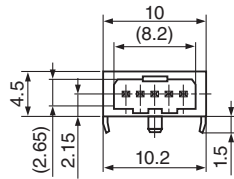
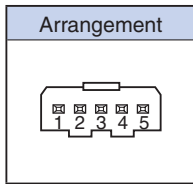
1. Applicable wire size: AWG #22 max.
2. UL-approved material (94V-0) is used for the insulation material.
3. This socket is made by insertion forming and equipped with cords. The socket cannot be sold independently.
4. 3.8mm, 4.8mm are available for cable diameter.

**TCP7351**

Receptacle H=4.5 mm



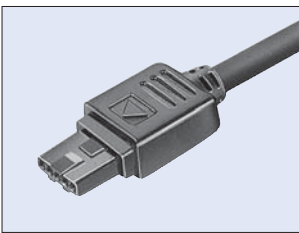
**TCP7351-010177**



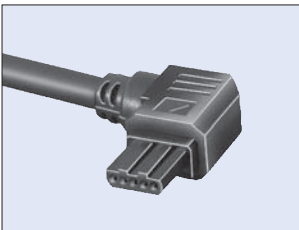
Hole Layout  
(Top View)

**TCS7351**

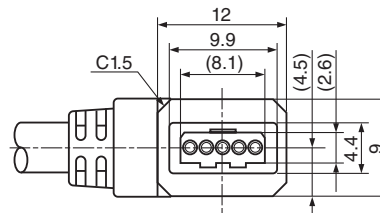
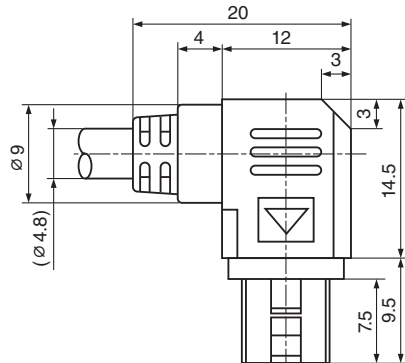
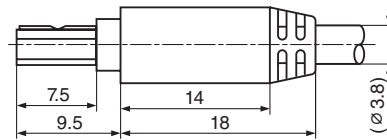
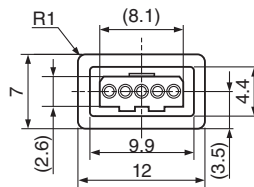
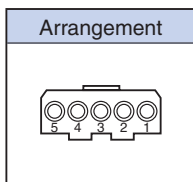
Socket Cable



**TCS7351-13**  
Straight Type



**TCS7351-24**  
Right Angle Type



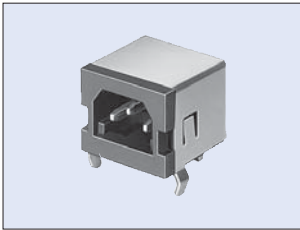
Rating	3A 12V DC max.
Insulation Resistance	100MΩ min. at 500V DC
Dielectric Strength	500V AC / 1 minute
Contact Resistance	30mΩ max.
Insertion Force	29N max.
Withdrawal Force	4.9N - 15N

1. Applicable wire size: AWG #22 max.
2. UL-approved material (94V-0) is used for the insulation material.
3. This socket is made by insertion forming and equipped with cords. The socket cannot be sold independently.
4. 3.8mm, 4.8mm are available for cable diameter.

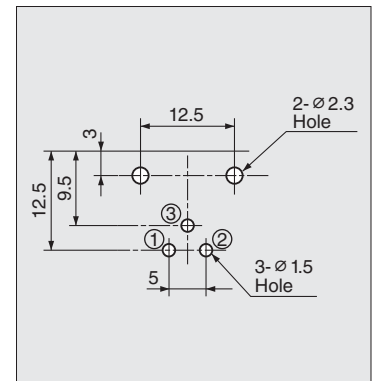
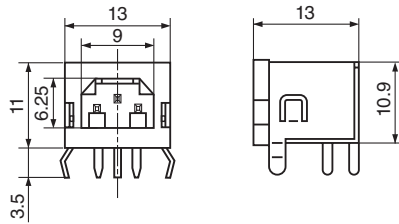


## TCP7360 Series

Receptacle H=11 mm



**TCP7361-1102077**  
Half Lock Type

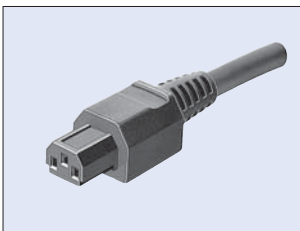


Hole Layout  
(Bottom View)

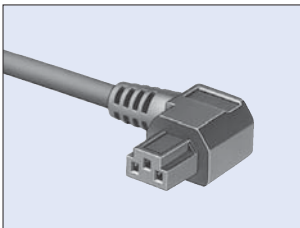
	I	II	III	IV	V
Arrangement					
Model No.	TCP7361-1102077	TCP7362-1102077	TCP7363-1102077	TCP7364-1102077	TCP7365-1102077

## TCS7360 Series

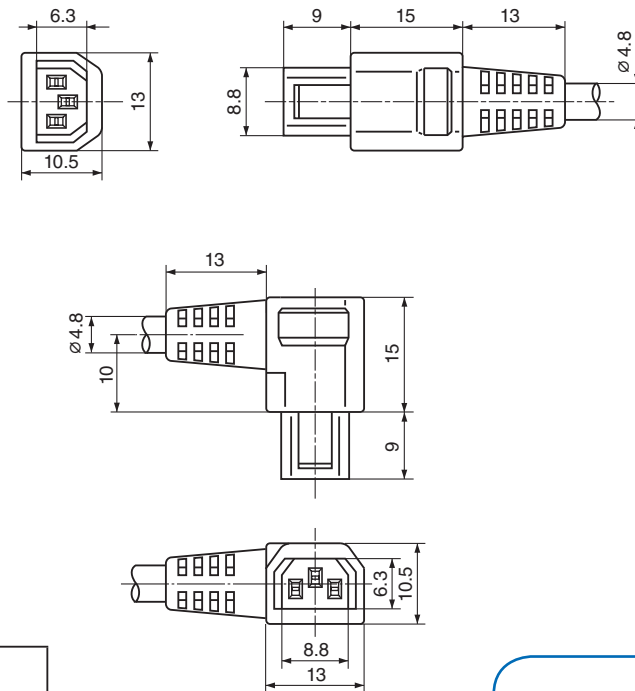
Socket Cable



**TCS7361-01**  
Straight Type



**TCS7361-61**  
Right Angle Type



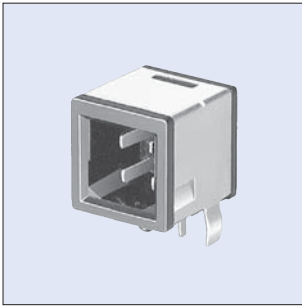
Rating	5A 20V DC max.
Insulation Resistance	50MΩ min. at 250V DC
Dielectric Strength	250V AC / 1 minute
Contact Resistance	30mΩ max.
Insertion Force	49N max.
Withdrawal Force	9.8N - 49N

	I	II	III	IV	V
Arrangement					
Model No.	TCS7361-01 TCS7361-61	TCS7362-01 TCS7362-61	TCS7363-01 TCS7363-61	TCS7364-01 TCS7364-61	TCS7365-01 TCS7365-61

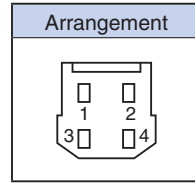
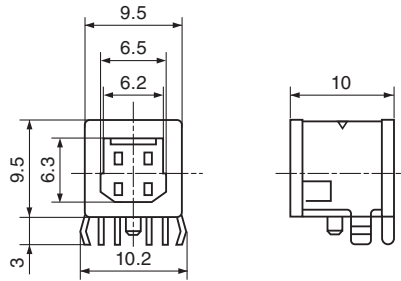
- Due to the inserted sockets used in the TCS7360 purchased as cord assemblies. The sockets are not available separately.
- UL-approved material (94V-0) is used for the insulation material.
- Color: Black
- Applicable wire size: AWG #28 - #18

## TCP7371

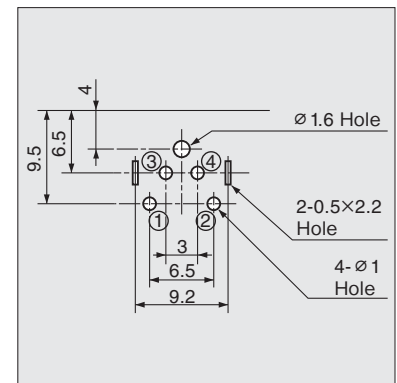
Receptacle H=9.5 mm



**TCP7371-110177**  
Half Lock Type



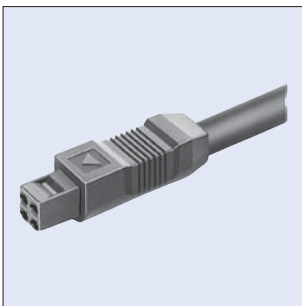
Rating	5A 12V DC max.
Insulation Resistance	100MΩ min. at 500V DC
Dielectric Strength	500V AC / 1 minute
Contact Resistance	30mΩ max.
Insertion Force	49N max.
Withdrawal Force	9.8N - 49N



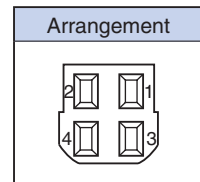
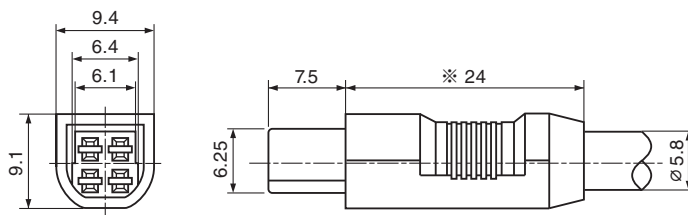
Hole Layout  
(Bottom View)

## TCS7371

Socket Cable



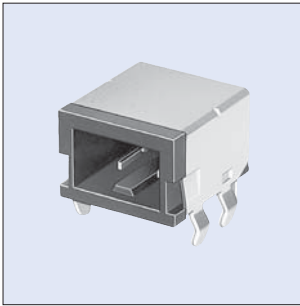
Half Lock Type



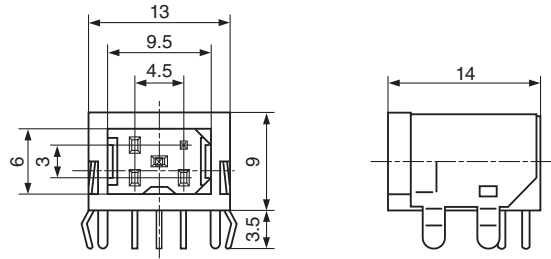
1. Applicable wire size: AWG #18 max.
2. UL-approved material (94V-0) is used for the insulation material.
3. This socket is made by insertion forming and equipped with cords.  
The socket cannot be sold independently.
4. 3.8mm, 4.8mm and 5.8mm are available for cable diameter.  
In case of 3.8mm and 4.8mm, ※ dimension is 20mm.

## TCP7330 Series

Receptacle H=9.0 mm



**TCP7335-010177**  
Half Lock Type



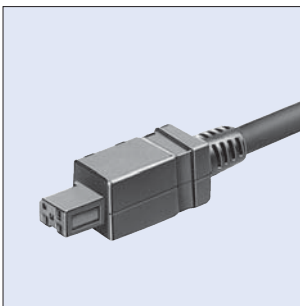
1. Socket Suitability.  
The Sockets are suitable for use with the TCS7330 Series.
2. Color: Black

Rating	Pin No. 1-3	5A 12V DC max.
	Pin No. 4, 5	1A 12V DC max.
Insulation Resistance	50MΩ min. at 250V DC	
Dielectric Strength	250V AC / 1 minute	
Contact Resistance	30mΩ max.	
Insertion Force	49N max.	
Withdrawal Force	9.8N - 49N	

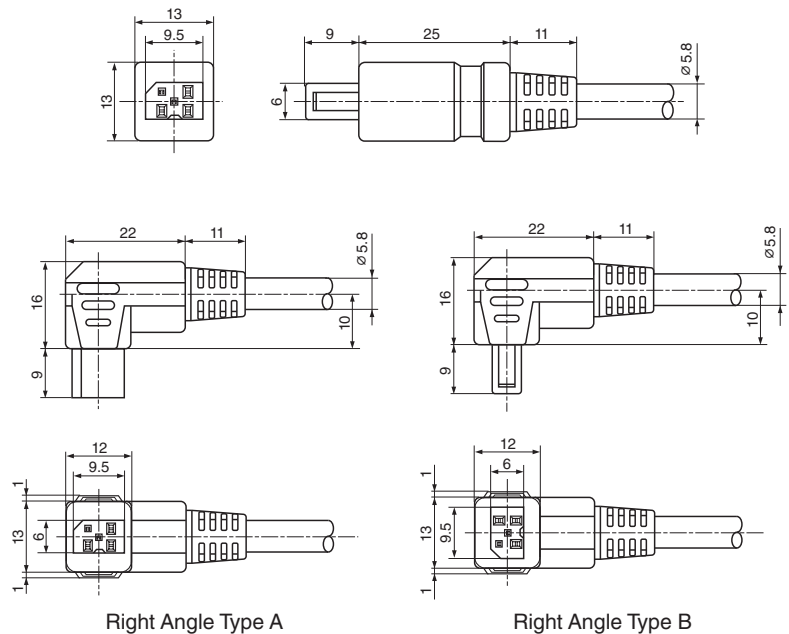
Contacts	Hole Layout (Bottom View)
4  TCP7334-010177	
5  TCP7335-010177	

## TCS7330 Series

Socket Cable



**TCS7335 (5P)**  
Straight Type



### Arrangement

Model No.	Contacts	Key Type
TCS7334	4	
TCS7335	5	

Right Angle Type A

Right Angle Type B

1. UL-approved material (94V-0) is used for the insulation material.
2. Color: Black
3. Applicable wire size: Contact No. 1, 2, 3, 5 AWG #18 to #24  
Applicable wire size: Contact No. 4 AWG #26 to #30
4. Applicable cable: 5.8 mm diameter, parallel cord (SPT-1)

■ **Model No. Table**

**AC Inlets**

Model No.	Page				
HSC0528	2	HSC0573	5	HSC0609	3
HSC0560	3	HSC0583	5	HSC0610	4

**Power Supply Connectors**

Model No.	Page						
TCP7331	6	TCP7362	8	TCS7331	6	TCS7362	8
TCP7334	10	TCP7363	8	TCS7334	10	TCS7363	8
TCP7335	10	TCP7364	8	TCS7335	10	TCS7364	8
TCP7351	7	TCP7365	8	TCS7351	7	TCS7365	8
TCP7361	8	TCP7371	9	TCS7361	8	TCS7371	9



<http://www.hosiden.com>

**Head Office**

4-33, Kitakyuhoji 1-chome, Yao-city, Osaka 581-0071, Japan  
Phone : +81-72-993-1010 Fax : +81-72-994-5101

**Japan**

**Overseas Division :**

4-33, Kitakyuhoji 1-chome, Yao-city, Osaka 581-0071, Japan  
Phone : +81-72-993-1010 Fax : +81-72-924-8937

**China**

**Hosiden Electronics(Shanghai) Co., Ltd.**

Room 10-11, 13<sup>th</sup> Floor, MAXDO Center, Xing-Yi Road, Chang-Ning District, Shanghai China  
Phone : +86-21-5208-1488 Fax : +86-21-5208-1480

**Hosiden (Shenzhen) Co., Ltd.**

Room2716, Changping Commercial Building, 99 Honghua Road,  
Futian Free Trade Zone, Shenzhen, China  
Phone : +86-755-8348-0952 Fax : +86-755-8359-7722

**Hong Kong**

**Hong Kong Hosiden Ltd.**

Units 1101-02, 11/F., Stelux House, 698 Prince Edward Road East, San Po Kong, Kowloon, Hong Kong  
Phone : +852-23238181 Fax : +852-23520425

**Taiwan**

**Taiwan Hosiden Co., Ltd.**

7F., No.237, Songjiang Road., Zhongshan Dist., Taipei City 104, Taiwan  
Phone : +886-2-2503-5611 Fax : +886-2-2517-8573

**Singapore**

**Hosiden Singapore Pte. Ltd.**

28, Genting, Lane, #04-07, Platinum 28, Singapore 349585  
Phone : +65-6296-8100 Fax : +65-6296-8200

**Malaysia**

**Hosiden Corporation(M)Sdn. Bhd.**

Lot1,Jalan P/1A,Bangi,Industrial Estate,43650  
Bandar Baru Bangi, Selangor Darul Ehsan,Malaysia  
Phone : +60-3-8925-8655 Fax : +60-3-8926-6122

**Thailand**

**Hosiden (Thailand) Co., Ltd.**

889 THAI CC TOWER, 21 Floor, Room 212, South Sathorn Road.,  
Kwaeng Yannawa, Khet Sathorn, Bangkok 10120, Thailand  
Phone : +66-2-673-9760, 9761 Fax : +66-2-673-9762

**Germany**

**Hosiden Europe GmbH**

**Head Office**

Graf-Recke-Straße 82, 40239 Düsseldorf, Germany  
Phone : +49-211-96493-0 Fax : +49-211-96493-90

**France**

**Branch office Paris**

13, rue Camille Desmoulins 92441 Issy Les Moulineaux, France  
Phone : +33-1-5804-2484 Fax : +33-1-5804-2300

**U.K.**

**Hosiden Besson Ltd.**

12 St. Joseph's Trading Estate St. Joseph's Close, Hove, East Sussex,  
BN3 7EZ, United Kingdom  
Phone : +44-1273-860000 Fax : +44-1273-777501

**U.S.A.**

**Hosiden America Corp.**

**Head Office**

120 East State Parkway, Schaumburg, IL, 60173, U.S.A.  
Phone : +1-847-885-8870 Fax : +1-847-885-0063

**San Jose Sales Office**

550 South Winchester Boulevard, Suite 320, San Jose, CA 95128, U.S.A.  
Phone : +1-408-985-8780 Fax : +1-408-985-8785

**Detroit Sales Office**

28970 Cabot Drive, Suite 600, Novi, MI 48377, U.S.A.  
Phone : +1-248-489-0174 Fax : +1-248-489-1154

- The contents described in this catalog may be changed without prior notice due to products improvements or discontinuance of production.
- Every product in this catalog is compliant to RoHS directive.

**CAUTION FOR SAFETY**

Please use our products properly based on our  
Drawing and Specification.