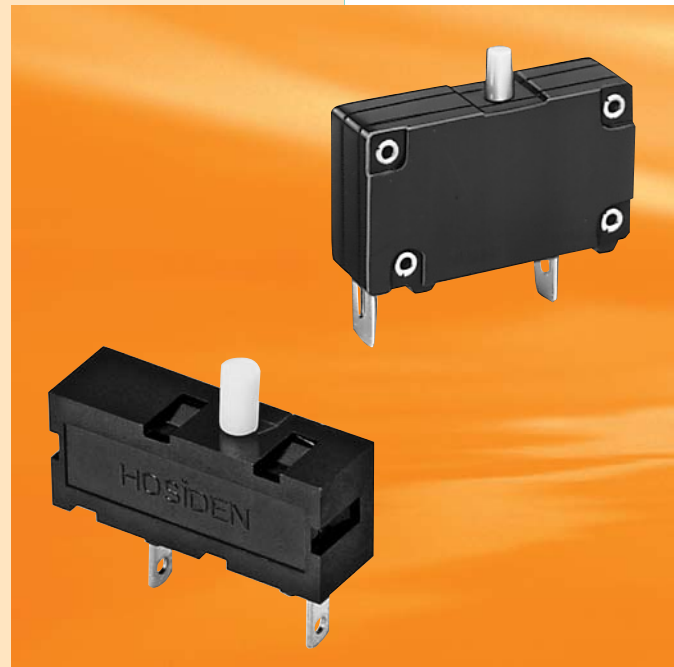


Circuit Protectors



Contents	1
Notice	1
Specifications List	2
Example of Used	3
TBC5000 Series	
Manual Reset Type and Auto Reset Type	4 — 12
TBC6000 Series	
Manual Reset Type	13 — 17
TBC7000 Series	
Large Current Type	18

Notice

Either AC or DC voltage is applicable to Hosiden's circuit protectors, which are designed to operate thermally based on the heat generation of bimetals. It is, therefore, possible to apply DC voltage to a model with a rated voltage of 125V AC. Note, however, that this does not hold where there is a separate safety regulation that requires the model to follow a specified voltage rating. Basically, the cut-off characteristics of circuit protectors are common to AC and DC voltages, although DC applications require the following:

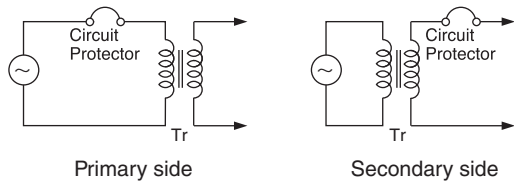
1. The specification of a model may not be satisfied under special waveforms such as pulse-wave and half-wave rectified waves.
2. The range of DC voltages 6V DC to 48V DC
3. Please contact Hosiden for further information.

- When resetting the circuit after breaking, it should be reset after lap after 10 sec.
- When it is higher than 40°C , resetting (after circuit tripping) may be sometimes impossible.
- It is not automatic dip-soldering type.

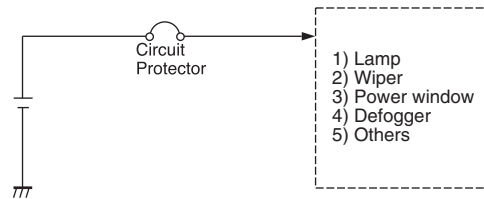
Series	Features	Rated Voltage (V)	Rated Current (A)	Reset method	Safety Standard
TBC5000	Miniature Manual Reset Type Miniature Auto Reset Type	125V AC 250V AC	1 to 15	Manual auto	UL CSA VDE CCC
TBC6000	Miniature Manual Reset Type	125V AC 250V AC	0.63 to 5	Manual	UL CSA VDE DEMKO CCC
TBC7000	Large Current Type	125V AC 30V DC	20 25	Manual	—

Tripping Performance	At ambient temperature $25 \pm 3^{\circ}\text{C}$ It should not operate at rated current. It should operate in less than 1 minute at 200% of rated current.
Voltage Drop	It should be 0.9V or less when measured between terminals with rated current and rated voltage applied.
Insulation Resistance	100M Ω or over with 500V DC.
Dielectric Strength	1500 V AC is applied at 50/60 Hz for 1 minute. (Rated Voltage 250V AC : 2000V AC is applied at 50/60 Hz for 1 minute.)

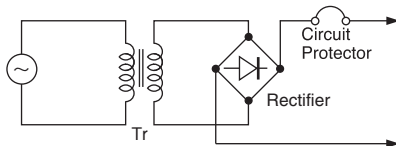
1. Transformer Protection



5. Protection of Equipment for Cars

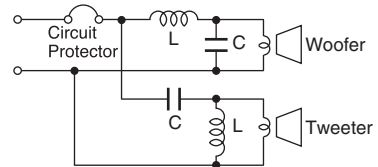


2. Rectifier Protection

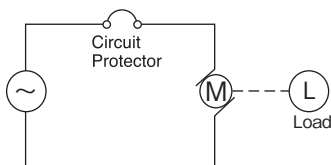


6. Speaker's Voice Coil Protection

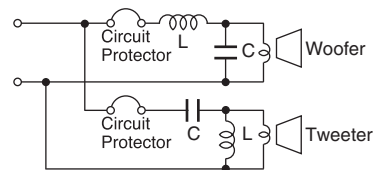
a) Installing the protector into speaker unit. (Protecting 2 coils together)



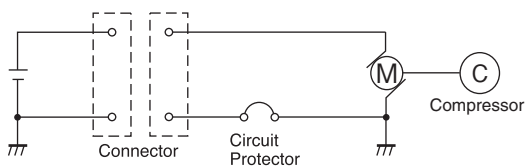
3. Motor Coil Protection



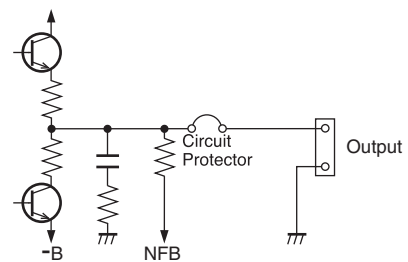
b) Installing the protector into speaker unit. (Protecting 2 coils individually)

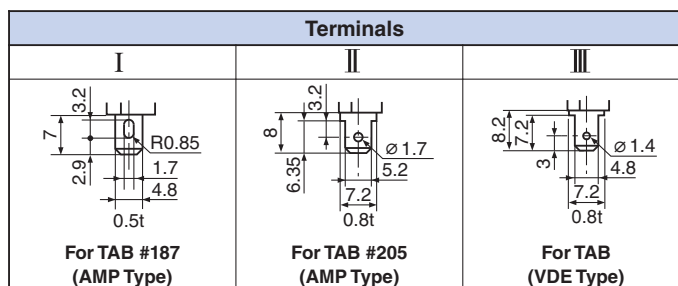
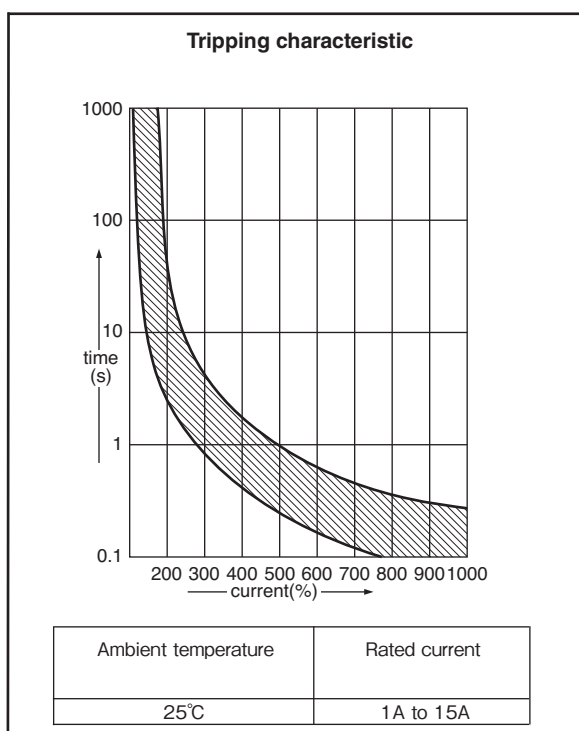
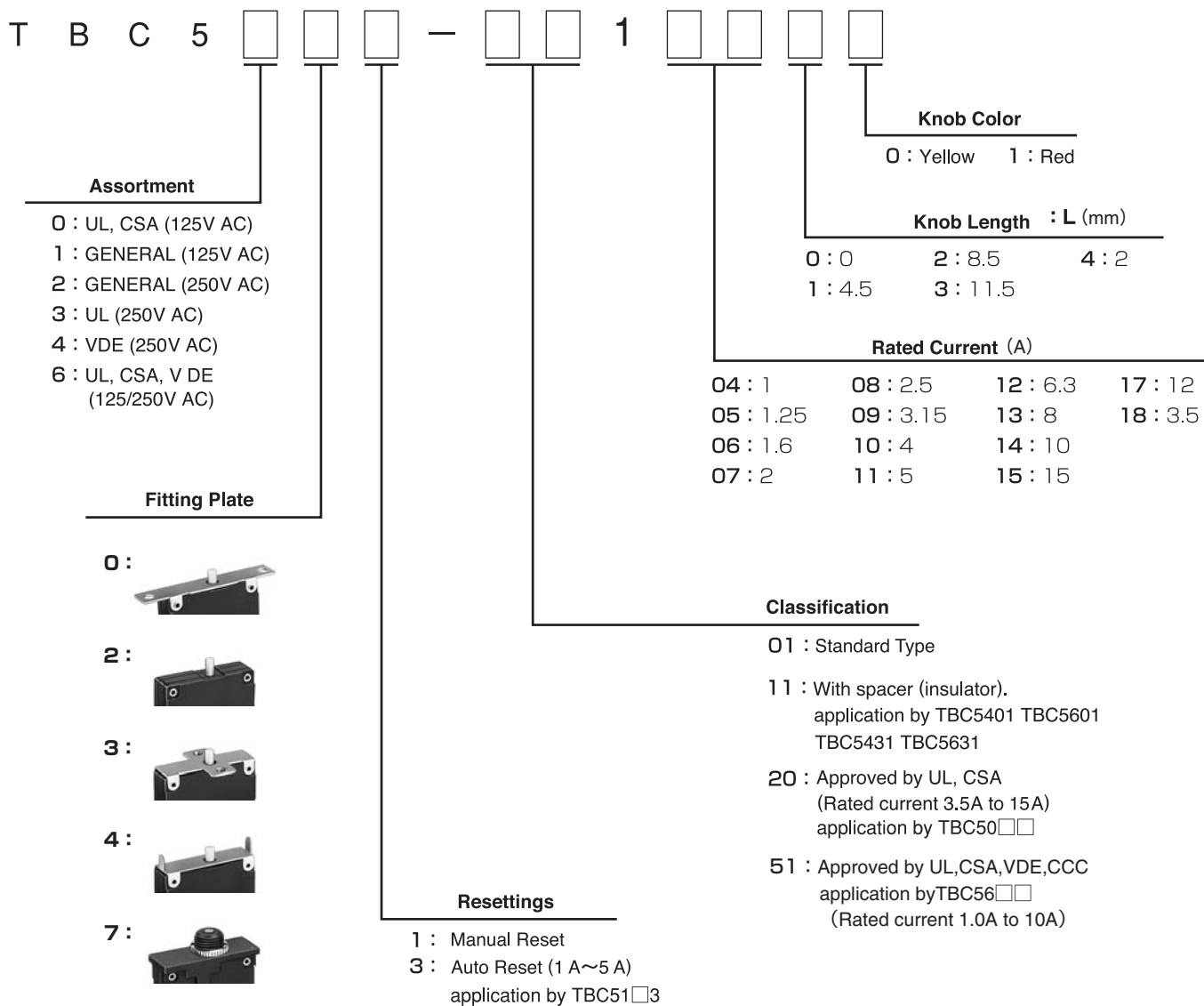


4. Protection of DC Equipment from Trouble Due to Wrong Polarity

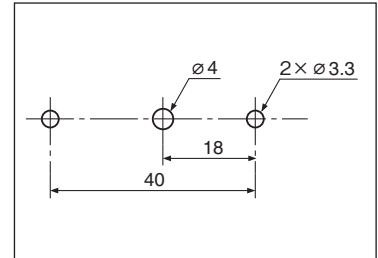
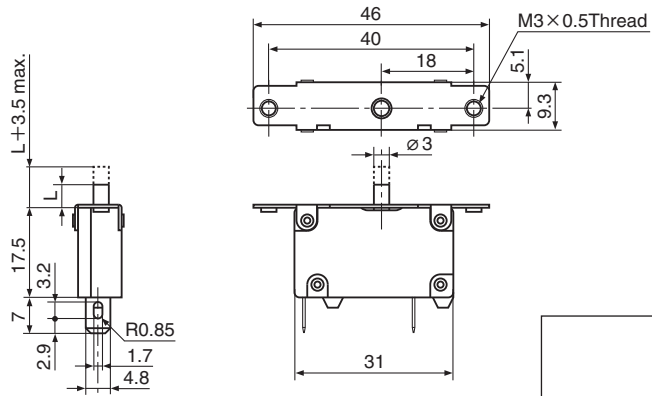


c) Installing the protector into amplifier.



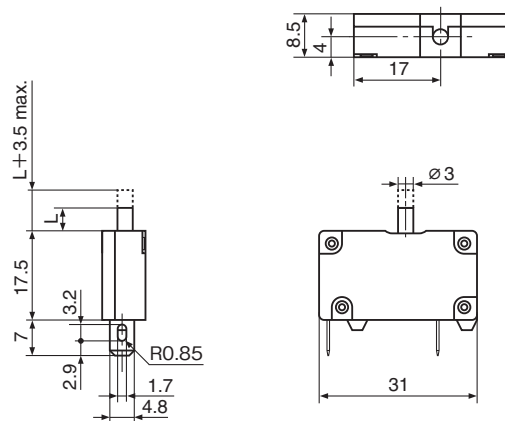
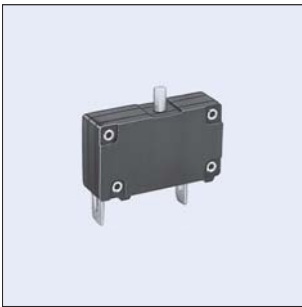


TBC5 □ 01

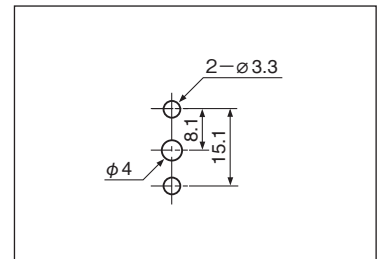
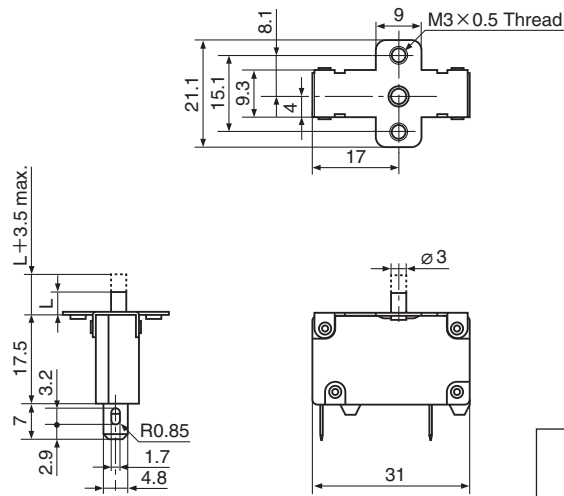


Mounting Hole Layout

TBC5 □ 21

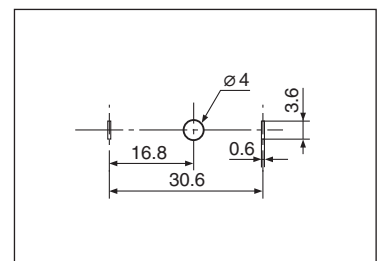
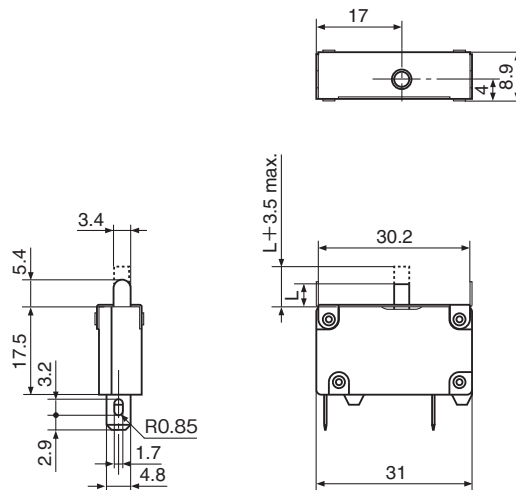


TBC5 □ 31



Mounting Hole Layout

TBC5 □ 41

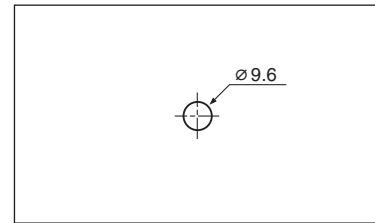
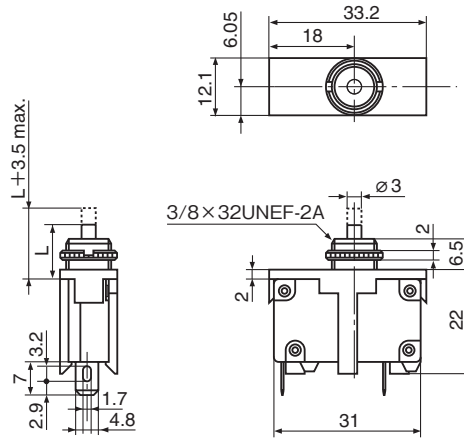


Mounting Hole Layout

TBC5 □ 71



Knob Length : 8.5mm, 11.5mm Only



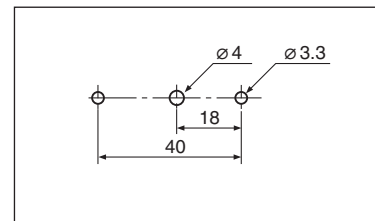
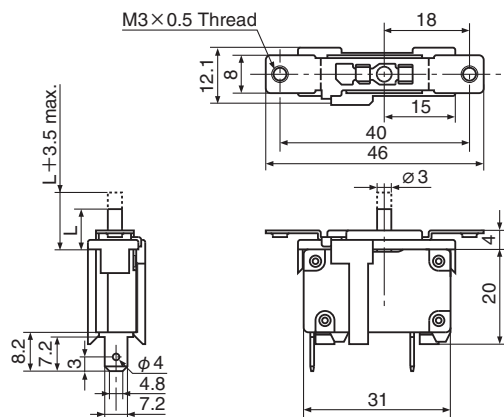
Mounting Hole Layout

TBC5401-11 / TBC5601-11

With Insulator



Knob Length : 4.5mm, 8.5mm, 11.5mm Only



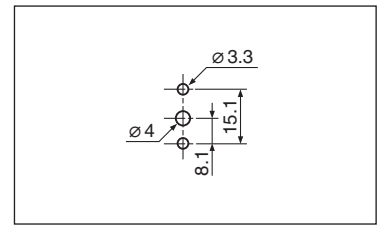
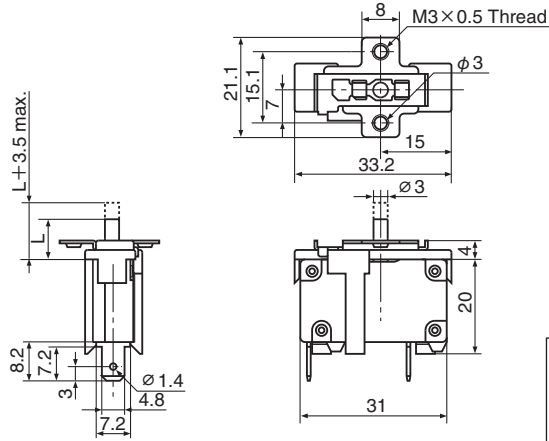
Mounting Hole Layout

TBC5431-11 / TBC5631-11

With Insulator



Knob Length : 4.5mm,8.5mm,11.5mm Only



Mounting Hole Layout

Example of Model No. in case of TBC5 □ 01

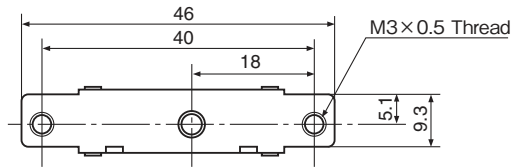
	Rated Current (A)	Safety Standards			Yellow Knob color			L Knob length		Terminal		
		UL		CSA	VDE	L = 0mm	L = 4.5mm	L = 8.5mm	L = 11.5mm		L = 2mm	
		125V AC	250V AC	125V AC	250V AC							
TBC5001-01 (125V AC)	1.0	●		●		TBC5001-0110400	TBC5001-0110410	TBC5001-0110420	TBC5001-0110430	TBC5001-0110440	I	
	1.25	●		●		TBC5001-0110500	TBC5001-0110510	TBC5001-0110520	TBC5001-0110530	TBC5001-0110540		
	1.6	●		●		TBC5001-0110600	TBC5001-0110610	TBC5001-0110620	TBC5001-0110630	TBC5001-0110640		
	2.0	●		●		TBC5001-0110700	TBC5001-0110710	TBC5001-0110720	TBC5001-0110730	TBC5001-0110740		
	2.5	●		●		TBC5001-0110800	TBC5001-0110810	TBC5001-0110820	TBC5001-0110830	TBC5001-0110840		
	3.15	●		●		TBC5001-0110900	TBC5001-0110910	TBC5001-0110920	TBC5001-0110930	TBC5001-0110940		
	3.5	●				TBC5001-0111800	TBC5001-0111810	TBC5001-0111820	TBC5001-0111830	TBC5001-0111840		
	4.0	●				TBC5001-0111000	TBC5001-0111010	TBC5001-0111020	TBC5001-0111030	TBC5001-0111040		
	5.0	●				TBC5001-0111100	TBC5001-0111110	TBC5001-0111120	TBC5001-0111130	TBC5001-0111140		
	6.3	●				TBC5001-0111200	TBC5001-0111210	TBC5001-0111220	TBC5001-0111230	TBC5001-0111240		
	8.0	●				TBC5001-0111300	TBC5001-0111310	TBC5001-0111320	TBC5001-0111330	TBC5001-0111340		
	10.0	●				TBC5001-0111400	TBC5001-0111410	TBC5001-0111420	TBC5001-0111430	TBC5001-0111440		
	12.0	●				TBC5001-0111700	TBC5001-0111710	TBC5001-0111720	TBC5001-0111730	TBC5001-0111740		II
	15.0	●				TBC5001-0111500	TBC5001-0111510	TBC5001-0111520	TBC5001-0111530	TBC5001-0111540		
TBC5001-20 (125V AC)	3.5	●		●		TBC5001-2011800	TBC5001-2011810	TBC5001-2011820	TBC5001-2011830	TBC5001-2011840	I	
	4.0	●		●		TBC5001-2011000	TBC5001-2011010	TBC5001-2011020	TBC5001-2011030	TBC5001-2011040		
	5.0	●		●		TBC5001-2011100	TBC5001-2011110	TBC5001-2011120	TBC5001-2011130	TBC5001-2011140		
	6.3	●		●		TBC5001-2011200	TBC5001-2011210	TBC5001-2011220	TBC5001-2011230	TBC5001-2011240		
	8.0	●		●		TBC5001-2011300	TBC5001-2011310	TBC5001-2011320	TBC5001-2011330	TBC5001-2011340		
	10.0	●		●		TBC5001-2011400	TBC5001-2011410	TBC5001-2011420	TBC5001-2011430	TBC5001-2011440		
	12.0	●		●		TBC5001-2011700	TBC5001-2011710	TBC5001-2011720	TBC5001-2011730	TBC5001-2011740		II
15.0	●		●		TBC5001-2011500	TBC5001-2011510	TBC5001-2011520	TBC5001-2011530	TBC5001-2011540			
TBC5101-01 (125V AC)	1.0					TBC5101-0110400	TBC5101-0110410	TBC5101-0110420	TBC5101-0110430	TBC5101-0110440	I	
	1.25					TBC5101-0110500	TBC5101-0110510	TBC5101-0110520	TBC5101-0110530	TBC5101-0110540		
	1.6					TBC5101-0110600	TBC5101-0110610	TBC5101-0110620	TBC5101-0110630	TBC5101-0110640		
	2.0					TBC5101-0110700	TBC5101-0110710	TBC5101-0110720	TBC5101-0110730	TBC5101-0110740		
	2.5					TBC5101-0110800	TBC5101-0110810	TBC5101-0110820	TBC5101-0110830	TBC5101-0110840		
	3.15					TBC5101-0110900	TBC5101-0110910	TBC5101-0110920	TBC5101-0110930	TBC5101-0110940		
	3.5					TBC5101-0111800	TBC5101-0111810	TBC5101-0111820	TBC5101-0111830	TBC5101-0111840		
	4.0					TBC5101-0111000	TBC5101-0111010	TBC5101-0111020	TBC5101-0111030	TBC5101-0111040		
	5.0					TBC5101-0111100	TBC5101-0111110	TBC5101-0111120	TBC5101-0111130	TBC5101-0111140		
	6.3					TBC5101-0111200	TBC5101-0111210	TBC5101-0111220	TBC5101-0111230	TBC5101-0111240		
	8.0					TBC5101-0111300	TBC5101-0111310	TBC5101-0111320	TBC5101-0111330	TBC5101-0111340		
	10.0					TBC5101-0111400	TBC5101-0111410	TBC5101-0111420	TBC5101-0111430	TBC5101-0111440		
	12.0					TBC5101-0111700	TBC5101-0111710	TBC5101-0111720	TBC5101-0111730	TBC5101-0111740		II
	15.0					TBC5101-0111500	TBC5101-0111510	TBC5101-0111520	TBC5101-0111530	TBC5101-0111540		
TBC5201-01 (250V AC)	1.0					TBC5201-0110400	TBC5201-0110410	TBC5201-0110420	TBC5201-0110430	TBC5201-0110440	I	
	1.25					TBC5201-0110500	TBC5201-0110510	TBC5201-0110520	TBC5201-0110530	TBC5201-0110540		
	1.6					TBC5201-0110600	TBC5201-0110610	TBC5201-0110620	TBC5201-0110630	TBC5201-0110640		
	2.0					TBC5201-0110700	TBC5201-0110710	TBC5201-0110720	TBC5201-0110730	TBC5201-0110740		
	2.5					TBC5201-0110800	TBC5201-0110810	TBC5201-0110820	TBC5201-0110830	TBC5201-0110840		
	3.15					TBC5201-0110900	TBC5201-0110910	TBC5201-0110920	TBC5201-0110930	TBC5201-0110940		
	3.5					TBC5201-0111800	TBC5201-0111810	TBC5201-0111820	TBC5201-0111830	TBC5201-0111840		
	4.0					TBC5201-0111000	TBC5201-0111010	TBC5201-0111020	TBC5201-0111030	TBC5201-0111040		
	5.0					TBC5201-0111100	TBC5201-0111110	TBC5201-0111120	TBC5201-0111130	TBC5201-0111140		
	6.3					TBC5201-0111200	TBC5201-0111210	TBC5201-0111220	TBC5201-0111230	TBC5201-0111240		
	8.0					TBC5201-0111300	TBC5201-0111310	TBC5201-0111320	TBC5201-0111330	TBC5201-0111340		
	10.0					TBC5201-0111400	TBC5201-0111410	TBC5201-0111420	TBC5201-0111430	TBC5201-0111440		
	12.0					TBC5201-0111700	TBC5201-0111710	TBC5201-0111720	TBC5201-0111730	TBC5201-0111740		II
	15.0					TBC5201-0111500	TBC5201-0111510	TBC5201-0111520	TBC5201-0111530	TBC5201-0111540		

Example of Model No. in case of TBC5 □ 01

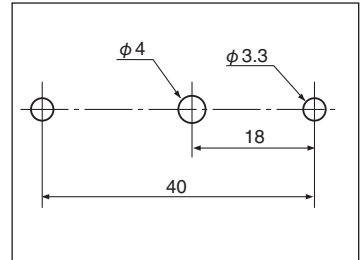
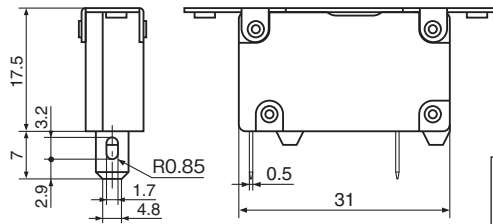
	Rated Current (A)	Safety Standards					Yellow Knob color			L Knob length		Terminal
		UL		CSA	VDE	CCC	L = 0mm	L = 4.5mm	L = 8.5mm	L = 11.5mm	L = 2mm	
		125V AC	250V AC	125V AC	250V AC	250V AC						
TBC5301-01 (250V AC)	1.0	●					TBC5301-0110400	TBC5301-0110410	TBC5301-0110420	TBC5301-0110430	TBC5301-0110440	I
	1.25	●					TBC5301-0110500	TBC5301-0110510	TBC5301-0110520	TBC5301-0110530	TBC5301-0110540	
	1.6	●					TBC5301-0110600	TBC5301-0110610	TBC5301-0110620	TBC5301-0110630	TBC5301-0110640	
	2.0	●					TBC5301-0110700	TBC5301-0110710	TBC5301-0110720	TBC5301-0110730	TBC5301-0110740	
	2.5	●					TBC5301-0110800	TBC5301-0110810	TBC5301-0110820	TBC5301-0110830	TBC5301-0110840	
	3.15	●					TBC5301-0110900	TBC5301-0110910	TBC5301-0110920	TBC5301-0110930	TBC5301-0110940	
	3.5	●					TBC5301-0111800	TBC5301-0111810	TBC5301-0111820	TBC5301-0111830	TBC5301-0111840	
	4.0	●					TBC5301-0111000	TBC5301-0111010	TBC5301-0111020	TBC5301-0111030	TBC5301-0111040	
	5.0	●					TBC5301-0111100	TBC5301-0111110	TBC5301-0111120	TBC5301-0111130	TBC5301-0111140	
	6.3	●					TBC5301-0111200	TBC5301-0111210	TBC5301-0111220	TBC5301-0111230	TBC5301-0111240	
	8.0	●					TBC5301-0111300	TBC5301-0111310	TBC5301-0111320	TBC5301-0111330	TBC5301-0111340	
10.0	●					TBC5301-0111400	TBC5301-0111410	TBC5301-0111420	TBC5301-0111430	TBC5301-0111440		
TBC5401-01 (250V AC)	1.0				●		TBC5401-0110400	TBC5401-0110410	TBC5401-0110420	TBC5401-0110430	TBC5401-0110440	III
	1.25				●		TBC5401-0110500	TBC5401-0110510	TBC5401-0110520	TBC5401-0110530	TBC5401-0110540	
	1.6				●		TBC5401-0110600	TBC5401-0110610	TBC5401-0110620	TBC5401-0110630	TBC5401-0110640	
	2.0				●		TBC5401-0110700	TBC5401-0110710	TBC5401-0110720	TBC5401-0110730	TBC5401-0110740	
	2.5				●		TBC5401-0110800	TBC5401-0110810	TBC5401-0110820	TBC5401-0110830	TBC5401-0110840	
	3.15				●		TBC5401-0110900	TBC5401-0110910	TBC5401-0110920	TBC5401-0110930	TBC5401-0110940	
	3.5				●		TBC5401-0111800	TBC5401-0111810	TBC5401-0111820	TBC5401-0111830	TBC5401-0111840	
	4.0				●		TBC5401-0111000	TBC5401-0111010	TBC5401-0111020	TBC5401-0111030	TBC5401-0111040	
	5.0				●		TBC5401-0111100	TBC5401-0111110	TBC5401-0111120	TBC5401-0111130	TBC5401-0111140	
	6.3				●		TBC5401-0111200	TBC5401-0111210	TBC5401-0111220	TBC5401-0111230	TBC5401-0111240	
	8.0				●		TBC5401-0111300	TBC5401-0111310	TBC5401-0111320	TBC5401-0111330	TBC5401-0111340	
	10.0				●		TBC5401-0111400	TBC5401-0111410	TBC5401-0111420	TBC5401-0111430	TBC5401-0111440	
	12.0				●		TBC5401-0111700	TBC5401-0111710	TBC5401-0111720	TBC5401-0111730	TBC5401-0111740	
15.0				●		TBC5401-0111500	TBC5401-0111510	TBC5401-0111520	TBC5401-0111530	TBC5401-0111540		
TBC5601-01 (125, 250V AC)	1.0	●	●	●	●		TBC5601-0110400	TBC5601-0110410	TBC5601-0111420	TBC5601-0110430	TBC5601-0110440	III
	1.25	●	●	●	●		TBC5601-0110500	TBC5601-0110510	TBC5601-0111520	TBC5601-0110530	TBC5601-0110540	
	1.6	●	●	●	●		TBC5601-0110600	TBC5601-0110610	TBC5601-0110620	TBC5601-0110630	TBC5601-0110640	
	2.0	●	●	●	●		TBC5601-0110700	TBC5601-0110710	TBC5601-0110720	TBC5601-0110730	TBC5601-0110740	
	2.5	●	●	●	●		TBC5601-0110800	TBC5601-0110810	TBC5601-0110820	TBC5601-0110830	TBC5601-0110840	
	3.15	●	●	●	●		TBC5601-0110900	TBC5601-0110910	TBC5601-0110920	TBC5601-0110930	TBC5601-0110940	
	3.5	●	●	●	●		TBC5601-0111800	TBC5601-0111810	TBC5601-0111820	TBC5601-0111830	TBC5601-0111840	
	4.0	●	●	●	●		TBC5601-0111000	TBC5601-0111010	TBC5601-0111020	TBC5601-0111030	TBC5601-0111040	
	5.0	●	●	●	●		TBC5601-0111100	TBC5601-0111110	TBC5601-0111120	TBC5601-0111130	TBC5601-0111140	
	6.3	●	●	●	●		TBC5601-0111200	TBC5601-0111210	TBC5601-0111220	TBC5601-0111230	TBC5601-0111240	
	8.0	●	●	●	●		TBC5601-0111300	TBC5601-0111310	TBC5601-0111320	TBC5601-0111330	TBC5601-0111340	
	10.0	●	●	●	●		TBC5601-0111400	TBC5601-0111410	TBC5601-0111420	TBC5601-0111430	TBC5601-0111440	
	12.0	●		●	●		TBC5601-0111700	TBC5601-0111710	TBC5601-0111720	TBC5601-0111730	TBC5601-0111740	
15.0	●		●	●		TBC5601-0111500	TBC5601-0111510	TBC5601-0111520	TBC5601-0111530	TBC5601-0111540		
TBC5601-51 (125, 250V AC)	1.0	●	●	●	●	●	TBC5601-5110400	TBC5601-5110410	TBC5601-5110420	TBC5601-5110430	TBC5601-5110440	III
	1.25	●	●	●	●	●	TBC5601-5110500	TBC5601-5110510	TBC5601-5110520	TBC5601-5110530	TBC5601-5110540	
	1.6	●	●	●	●	●	TBC5601-5110600	TBC5601-5110610	TBC5601-5110620	TBC5601-5110630	TBC5601-5110640	
	2.0	●	●	●	●	●	TBC5601-5110700	TBC5601-5110710	TBC5601-5110720	TBC5601-5110730	TBC5601-5110740	
	2.5	●	●	●	●	●	TBC5601-5110800	TBC5601-5110810	TBC5601-5110820	TBC5601-5110830	TBC5601-5110840	
	3.15	●	●	●	●	●	TBC5601-5110900	TBC5601-5110910	TBC5601-5110920	TBC5601-5110930	TBC5601-5110940	
	3.5	●	●	●	●	●	TBC5601-5111800	TBC5601-5111810	TBC5601-5111820	TBC5601-5111830	TBC5601-5111840	
	4.0	●	●	●	●	●	TBC5601-5111000	TBC5601-5111010	TBC5601-5111020	TBC5601-5111030	TBC5601-5111040	
	5.0	●	●	●	●	●	TBC5601-5111100	TBC5601-5111110	TBC5601-5111120	TBC5601-5111130	TBC5601-5111140	
	6.3	●	●	●	●	●	TBC5601-5111200	TBC5601-5111210	TBC5601-5111220	TBC5601-5111230	TBC5601-5111240	
	8.0	●	●	●	●	●	TBC5601-5111300	TBC5601-5111310	TBC5601-5111320	TBC5601-5111330	TBC5601-5111340	
10.0	●	●	●	●	●	TBC5601-5111400	TBC5601-5111410	TBC5601-5111420	TBC5601-5111430	TBC5601-5111440		

※ End of Model No. having red knob will change 0 to 1. Example TBC5001-0110400 → TBC5001-0110401

TBC5103

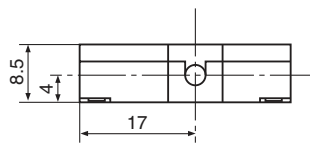


Rated Current (A)	Rated Voltage (125V AC)
1.0	TBC5103-0110400
1.25	TBC5103-0110500
1.6	TBC5103-0110600
2.0	TBC5103-0110700
2.5	TBC5103-0110800
3.15	TBC5103-0110900
3.5	TBC5103-0111800
4.0	TBC5103-0111000
5.0	TBC5103-0111100

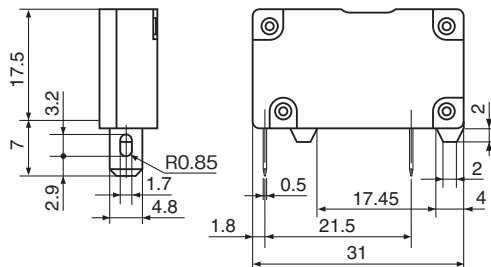


Mounting Hole Layout

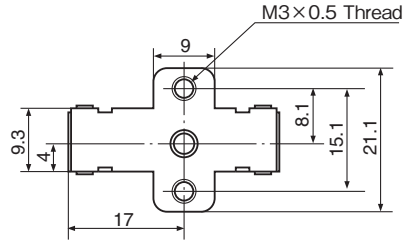
TBC5123



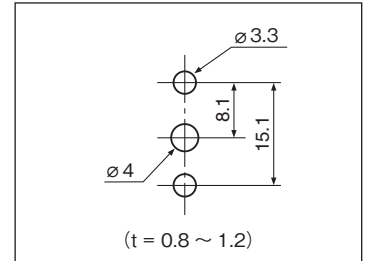
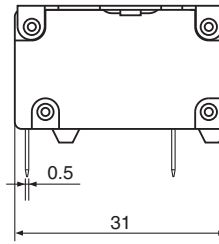
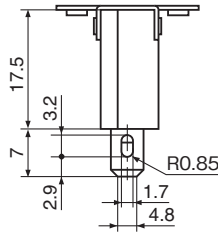
Rated Current (A)	Rated Voltage (125V AC)
1.0	TBC5123-0110400
1.25	TBC5123-0110500
1.6	TBC5123-0110600
2.0	TBC5123-0110700
2.5	TBC5123-0110800
3.15	TBC5123-0110900
3.5	TBC5123-0111800
4.0	TBC5123-0111000
5.0	TBC5123-0111100



TBC5133

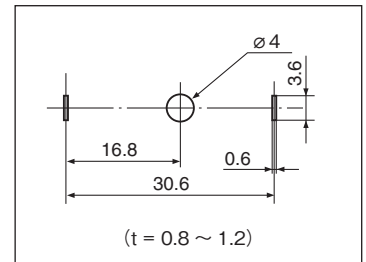
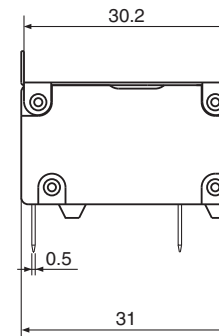
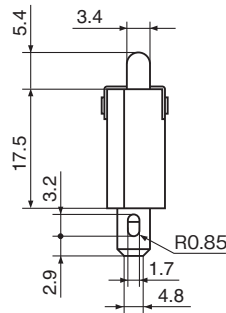
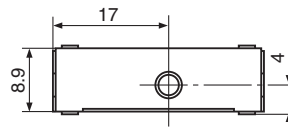
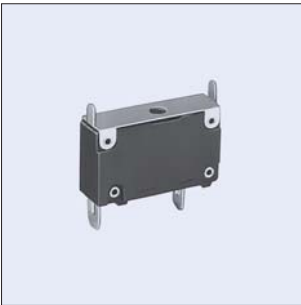


Rated Current (A)	Rated Voltage (125V AC)
1.0	TBC5133-0110400
1.25	TBC5133-0110500
1.6	TBC5133-0110600
2.0	TBC5133-0110700
2.5	TBC5133-0110800
3.15	TBC5133-0110900
3.5	TBC5133-0111800
4.0	TBC5133-0111000
5.0	TBC5133-0111100



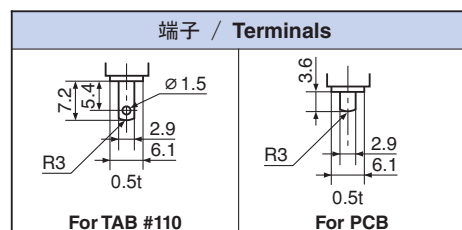
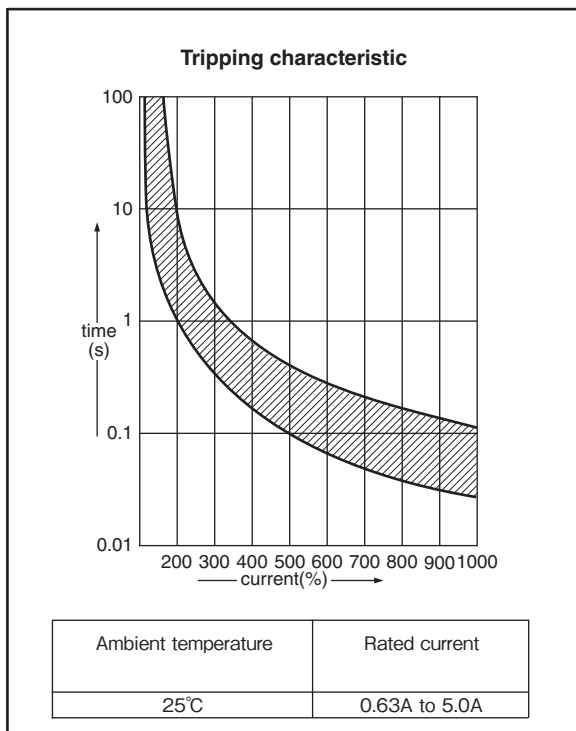
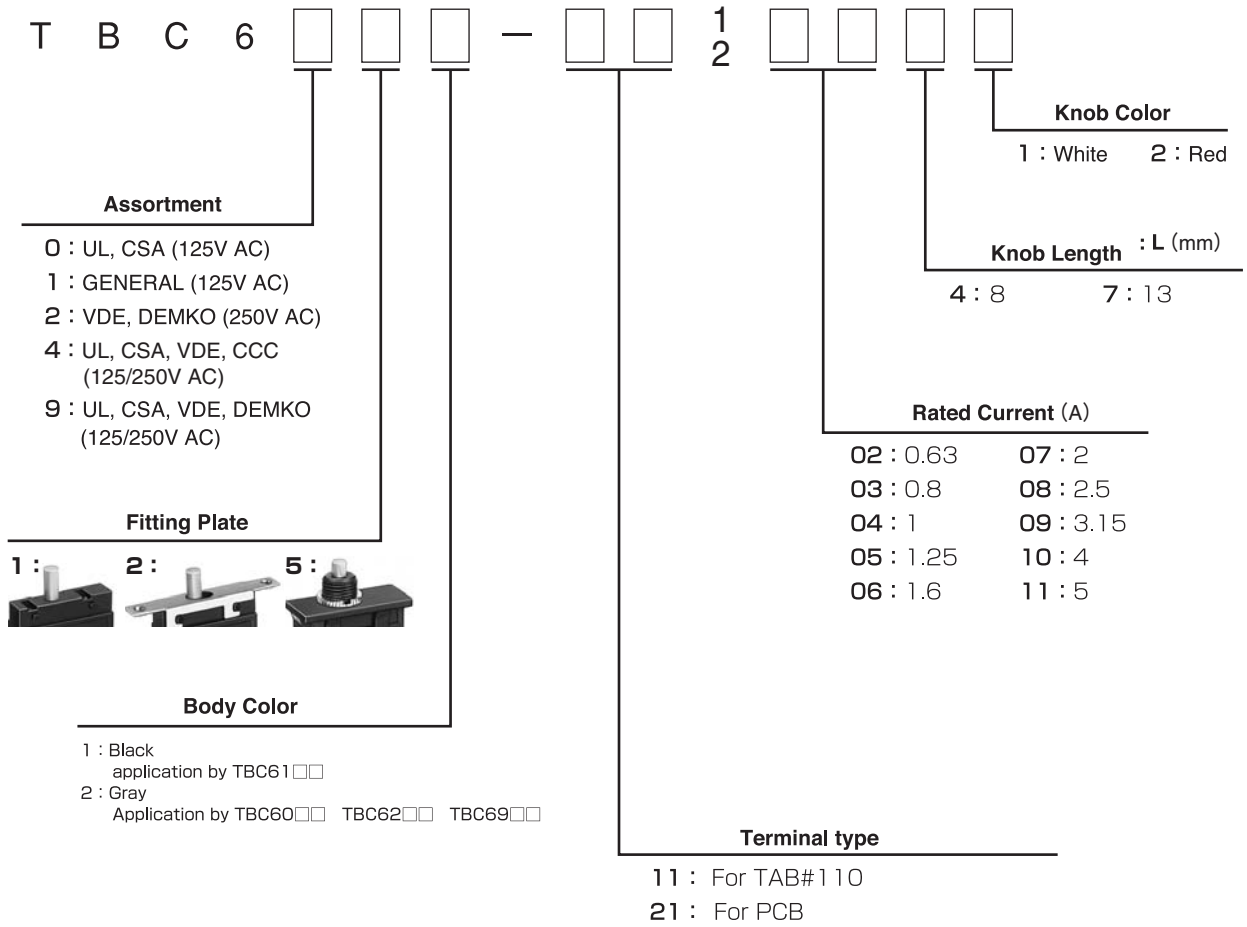
Mounting Hole Layout

TBC5143

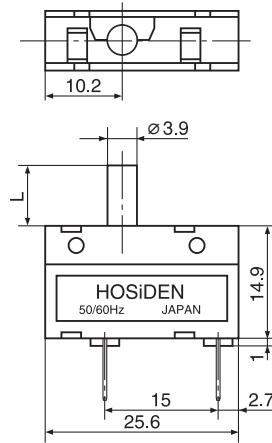
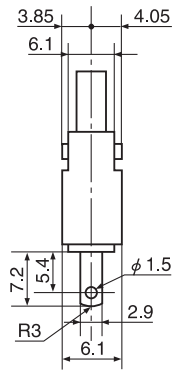


Mounting Hole Layout

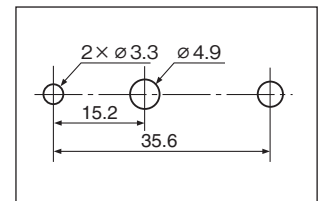
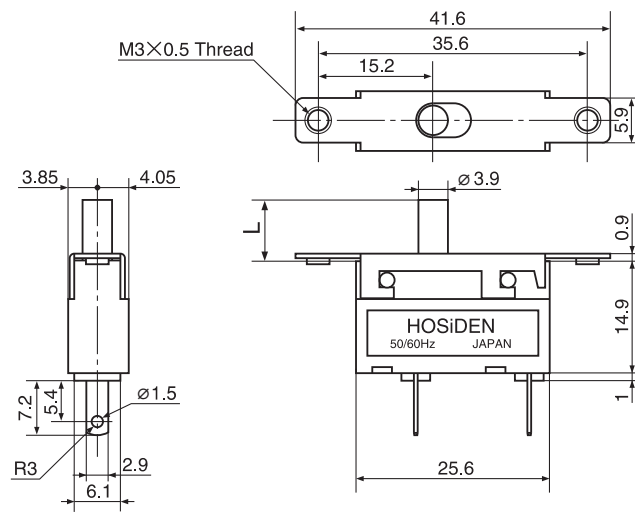
Rated Current (A)	Rated Voltage (125V AC)
1.0	TBC5143-0110400
1.25	TBC5143-0110500
1.6	TBC5143-0110600
2.0	TBC5143-0110700
2.5	TBC5143-0110800
3.15	TBC5143-0110900
3.5	TBC5143-0111800
4.0	TBC5143-0111000
5.0	TBC5143-0111100



TBC6 □ 12

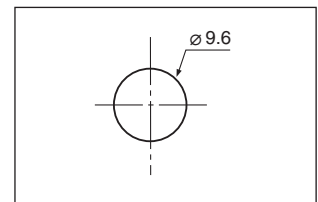
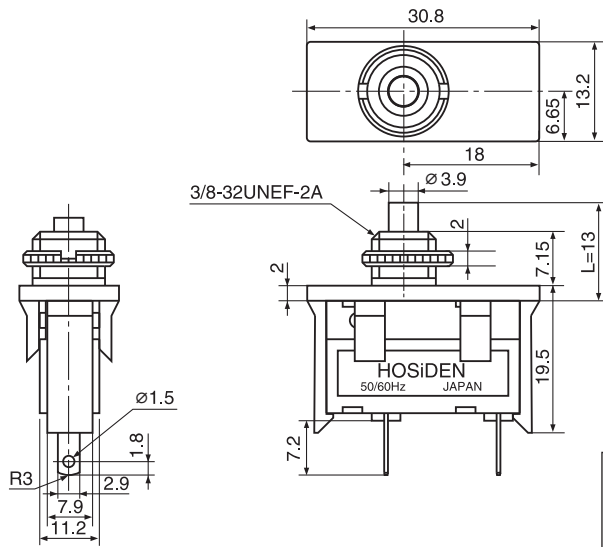


TBC6 □ 22



Mounting Hole Layout

TBC6 □ 52



Mounting Hole Layout

※ Knob length 13mm Only

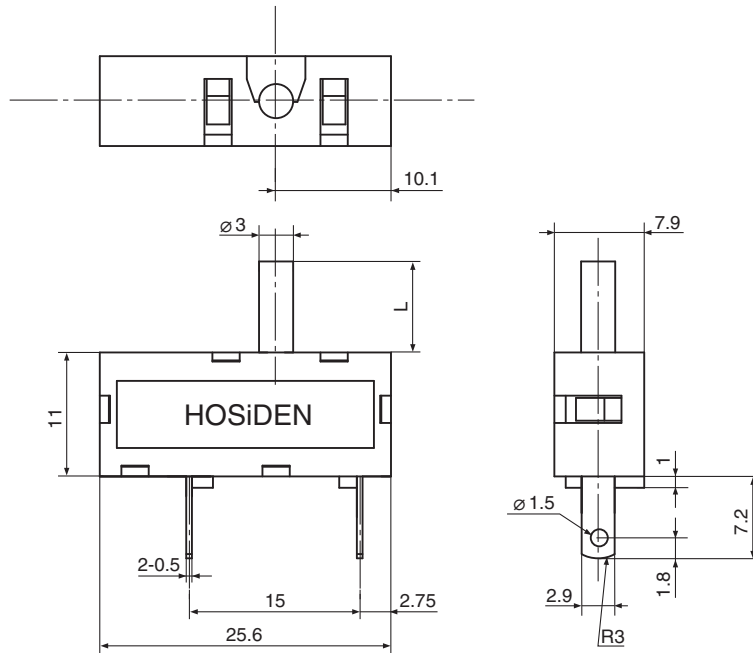
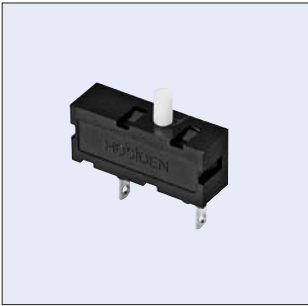
Examples of Model No. in case of TBC6 1

	Rated Current (A)	Safety Standards					(TAB #110) Terminal for Soldering		Terminal for P.C.Board	
		UL	CSA	VDE	DEMKO	CCC	Knob color : White		Knob Length : L	
		125V AC	125V AC	250V AC	250V AC	250V AC	L=8mm	L=13mm	L=8mm	L=13mm
TBC6012 (125V AC)	0.63	●	●				TBC6012-1110241	TBC6012-1110271	TBC6012-2110241	TBC6012-2110271
	0.8	●	●				TBC6012-1110341	TBC6012-1110371	TBC6012-2110341	TBC6012-2110371
	1.0	●	●				TBC6012-1110441	TBC6012-1110471	TBC6012-2110441	TBC6012-2110471
	1.25	●	●				TBC6012-1110541	TBC6012-1110571	TBC6012-2110541	TBC6012-2110571
	1.6	●	●				TBC6012-1110641	TBC6012-1110671	TBC6012-2110641	TBC6012-2110671
	2.0	●	●				TBC6012-1110741	TBC6012-1110771	TBC6012-2110741	TBC6012-2110771
	2.5	●	●				TBC6012-1110841	TBC6012-1110871	TBC6012-2110841	TBC6012-2110871
	3.15	●	●				TBC6012-1110941	TBC6012-1110971	TBC6012-2110941	TBC6012-2110971
	4.0	●	●				TBC6012-1111041	TBC6012-1111071	TBC6012-2111041	TBC6012-2111071
	5.0	●	●				TBC6012-1111141	TBC6012-1111171	TBC6012-2111141	TBC6012-2111171
TBC6111 (125V AC)	0.63						TBC6111-1110241	TBC6111-1110271	TBC6111-2110241	TBC6111-2110271
	0.8						TBC6111-1110341	TBC6111-1110371	TBC6111-2110341	TBC6111-2110371
	1.0						TBC6111-1110441	TBC6111-1110471	TBC6111-2110441	TBC6111-2110471
	1.25						TBC6111-1110541	TBC6111-1110571	TBC6111-2110541	TBC6111-2110571
	1.6						TBC6111-1110641	TBC6111-1110671	TBC6111-2110641	TBC6111-2110671
	2.0						TBC6111-1110741	TBC6111-1110771	TBC6111-2110741	TBC6111-2110771
	2.5						TBC6111-1110841	TBC6111-1110871	TBC6111-2110841	TBC6111-2110871
	3.15						TBC6111-1110941	TBC6111-1110971	TBC6111-2110941	TBC6111-2110971
	4.0						TBC6111-1111041	TBC6111-1111071	TBC6111-2111041	TBC6111-2111071
	5.0						TBC6111-1111141	TBC6111-1111171	TBC6111-2111141	TBC6111-2111171
TBC6212 (250V AC)	0.63			●	●		TBC6212-1110241	TBC6212-2110271	TBC6212-2110241	TBC6212-2110271
	0.8			●	●		TBC6212-1110341	TBC6212-2110371	TBC6212-2110341	TBC6212-2110371
	1.0			●	●		TBC6212-1110441	TBC6212-1110471	TBC6212-2110441	TBC6212-2110471
	1.25			●	●		TBC6212-1110541	TBC6212-1110571	TBC6212-2110541	TBC6212-2110571
	1.6			●	●		TBC6212-1110641	TBC6212-1110671	TBC6212-2110641	TBC6212-2110671
	2.0			●	●		TBC6212-1110741	TBC6212-1110771	TBC6212-2110741	TBC6212-2110771
	2.5			●	●		TBC6212-1110841	TBC6212-1110871	TBC6212-2110841	TBC6212-2110871
	3.15			●	●		TBC6212-1110941	TBC6212-1110971	TBC6212-2110941	TBC6212-2110971
	4.0			●	●		TBC6212-1111041	TBC6212-1111071	TBC6212-2111041	TBC6212-2111071
	5.0			●	●		TBC6212-1111141	TBC6212-1111171	TBC6212-2111141	TBC6212-2111171
TBC6412 (125 , 250V AC)	0.63	●	●	●		●	TBC6412-1120241	TBC6412-1120271	TBC6412-2120241	TBC6412-2120271
	0.8	●	●	●		●	TBC6412-1120341	TBC6412-1120371	TBC6412-2120341	TBC6412-2120371
	1.0	●	●	●		●	TBC6412-1120441	TBC6412-1120471	TBC6412-2120441	TBC6412-2120471
	1.25	●	●	●		●	TBC6412-1120541	TBC6412-1120571	TBC6412-2120541	TBC6412-2120571
	1.6	●	●	●		●	TBC6412-1120641	TBC6412-1120671	TBC6412-2120641	TBC6412-2120671
	2.0	●	●	●		●	TBC6412-1120741	TBC6412-1120771	TBC6412-2120741	TBC6412-2120771
	2.5	●	●	●		●	TBC6412-1120841	TBC6412-1120871	TBC6412-2120841	TBC6412-2120871
	3.15	●	●	●		●	TBC6412-1120941	TBC6412-1120971	TBC6412-2120941	TBC6412-2120971
	4.0	●	●	●		●	TBC6412-1121041	TBC6412-1121071	TBC6412-2121041	TBC6412-2121071
	5.0	●	●	●		●	TBC6412-1121141	TBC6412-1121171	TBC6412-2121141	TBC6412-2121171
TBC6912 (125 , 250V AC)	0.63	●	●	●	●		TBC6912-1110241	TBC6912-1110271	TBC6912-2110241	TBC6912-2110271
	0.8	●	●	●	●		TBC6912-1110341	TBC6912-1110371	TBC6912-2110341	TBC6912-2110371
	1.0	●	●	●	●		TBC6912-1110441	TBC6912-1110471	TBC6912-2110441	TBC6912-2110471
	1.25	●	●	●	●		TBC6912-1110541	TBC6912-1110571	TBC6912-2110541	TBC6912-2110571
	1.6	●	●	●	●		TBC6912-1110641	TBC6912-1110671	TBC6912-2110641	TBC6912-2110671
	2.0	●	●	●	●		TBC6912-1110741	TBC6912-1110771	TBC6912-2110741	TBC6912-2110771
	2.5	●	●	●	●		TBC6912-1110841	TBC6912-1110871	TBC6912-2110841	TBC6912-2110871
	3.15	●	●	●	●		TBC6912-1110941	TBC6912-1110971	TBC6912-2110941	TBC6912-2110971
	4.0	●	●	●	●		TBC6912-1111041	TBC6912-1111071	TBC6912-2111041	TBC6912-2111071
	5.0	●	●	●	●		TBC6912-1111141	TBC6912-1111171	TBC6912-2111141	TBC6912-2111171

 ※ The model No. ends in "2" having red knob. Example) TBC6 11-1110241 (knob color: white) → TBC6 11-1110242 (knob color: red)

※ There is no ON/OFF indication according to the height of knob.

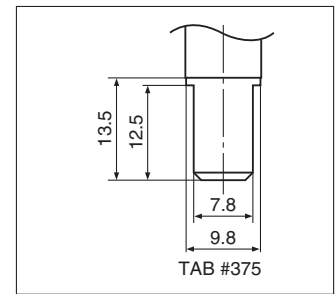
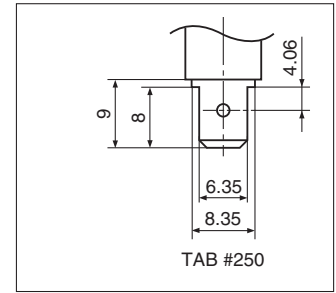
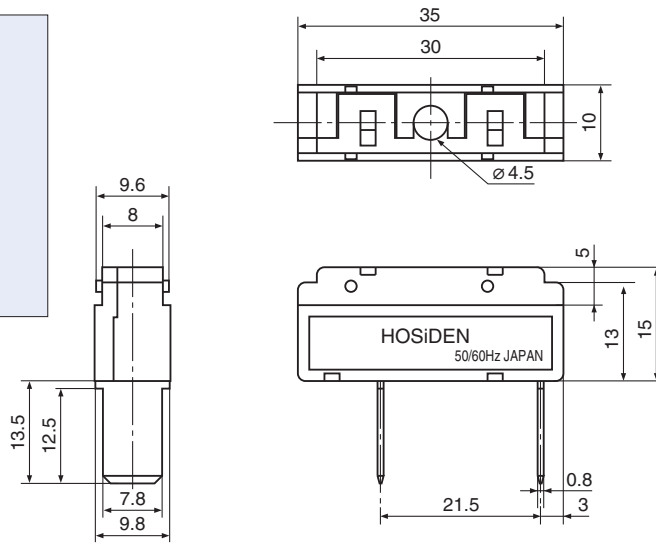
TBC6115



	Rated Current (A)	Knob color			
		White		Red	
		Knob Length : L			
		L=5.5mm	L=8.0mm	L=5.5mm	L=8.0mm
TBC6115 (125V AC)	0.63	TBC6115-1120211	TBC6115-1120221	TBC6115-1120210	TBC6115-1120220
	0.8	TBC6115-1120311	TBC6115-1120321	TBC6115-1120310	TBC6115-1120320
	1.0	TBC6115-1120411	TBC6115-1120421	TBC6115-1120410	TBC6115-1120420
	1.25	TBC6115-1120511	TBC6115-1120521	TBC6115-1120510	TBC6115-1120520
	1.6	TBC6115-1120611	TBC6115-1120621	TBC6115-1120610	TBC6115-1120620
	2.0	TBC6115-1120711	TBC6115-1120721	TBC6115-1120710	TBC6115-1120720
	2.5	TBC6115-1120811	TBC6115-1120821	TBC6115-1120810	TBC6115-1120820
	3.15	TBC6115-1120911	TBC6115-1120921	TBC6115-1120910	TBC6115-1120920
	4.0	TBC6115-1121011	TBC6115-1121021	TBC6115-1121010	TBC6115-1121020
	5.0	TBC6115-1121111	TBC6115-1121121	TBC6115-1121110	TBC6115-1121120
	6.3	TBC6115-1121211	TBC6115-1121221	TBC6115-1121210	TBC6115-1121220

※ Should you have any requests for UL, CSA, VDE, CCC Standards, please feel free to contact us.

TBC7121



Rated Voltage	Rated Current (A)	TAB #250 用 for TAB #250	TAB #375 用 for TAB #375
125V AC / 30V DC	20	TBC7121-0112001	TBC7121-0112000
	25	TBC7121-0112501	TBC7121-0112500

Model No. Table

Model No.	Page				
TBC5001	9	TBC5401-01	10	TBC6111	16
TBC5101	9	TBC5401-11	7	TBC6412	16
TBC5103	11	TBC5431	8	TBC6212	16
TBC5123	11	TBC5601-01	10	TBC6912	16
TBC5133	12	TBC5601-11	7	TBC6115	17
TBC5143	12	TBC5601-51	10	TBC7121	18
TBC5201	9	TBC5631	8		
TBC5301	10	TBC6012	16		



<http://www.hosiden.com>

Head Office

4-33, Kitakyuhoji 1-chome, Yao-city, Osaka 581-0071, Japan
Phone : +81-72-993-1010 Fax : +81-72-994-5101

Japan	Overseas Division : 4-33, Kitakyuhoji 1-chome, Yao-city, Osaka 581-0071, Japan Phone : +81-72-993-1010 Fax : +81-72-924-8937
China	Hosiden Electronics(Shanghai) Co., Ltd. Room 10-11, 13 th Floor, MAXDO Center, Xing-Yi Road, Chang-Ning District, Shanghai China Phone : +86-21-5208-1488 Fax : +86-21-5208-1480 Hosiden (Shenzhen) Co., Ltd. Room 3818, Changping Commercial Building, Honghua Road, Futian Free Trade Zone, Shenzhen, China Phone : +86-755-8348-0952 Fax : +86-755-8359-7722
Hong Kong	Hong Kong Hosiden Ltd. 33, Tseuk Luk Street, 6/F-A San Po Kong, Kowloon, Hong Kong Phone : +852-23238181 Fax : +852-23520425
Taiwan	Taiwan Hosiden Co., Ltd. 10F, No.116, Nanking East Road Sec. 2, Taipei, Taiwan Phone : +886-2-2571-0017 Fax : +886-2-2561-6413
Singapore	Hosiden Singapore Pte. Ltd. 28, Genting, Lane, #04-06/07, Platinum 28, Singapore 349585 Phone : +65-6296-8100 Fax : +65-6296-8300
Malaysia	Hosiden Corporation(M)Sdn. Bhd. Lot1, Jalan P/1A, Bangi, Industrial Estate, 43650 Bander Baru Bangi, Selangor Darul Ehsan, Malaysia Phone : +60-3-8925-8655 Fax : +60-3-8926-6122
Thailand	Hosiden (Thailand) Co., Ltd. 889 THAI CC TOWER, 21 Floor, Room 212, South Sathorn Road, Kwaeng Yannawa, Khet Sathorn, Bangkok 10120, Thailand Phone : +66-2-673-9760, 9761 Fax : +66-2-673-9762
Germany	Hosiden Europe GmbH Head Office Graf-Recke-Straße 82, 40239 Düsseldorf, Germany Phone : +49-211-96493-0 Fax : +49-211-96493-90
France	Branch office Paris 13, rue Camille Desmoulins 92441 Issy Les Moulineaux, France Phone : +33-1-5804-2484 Fax : +33-1-5804-2300
U.K.	Hosiden Besson Ltd. 11St. Joseph's Trading Estate St. Joseph's Close, Hove, East Sussex, BN3 7EZ, United Kingdom Phone : +44-1273-860000 Fax : +44-1273-777501
U.S.A.	Hosiden America Corp. Head Office 120 East State Parkway, Schaumburg, IL, 60173, U.S.A. Phone : +1-847-885-8870 Fax : +1-847-885-0063 San Jose Sales Office 550 South Winchester Boulevard, Suite 320, San Jose, CA 95128, U.S.A. Phone : +1-408-985-8780 Fax : +1-408-985-8785 Detroit Sales Office 28970 Cabot Drive, Suite 600, Novi, MI 48377, U.S.A. Phone : +1-248-489-0174 Fax : +1-248-489-1154

CAUTION FOR SAFETY

Please use our products properly based on our
Drawing and Specification.