

Bedlam™ Loud Tonecaller

The line powered high output unit has been designed for installation in large offices or factory areas with high ambient noise levels, and is designed to replace the traditional mains voltage bell.

The unit is rated to IP66 and is therefore capable of operating in adverse conditions.

The Bedlam™ Loud Tonecaller is powered by the PABX and PSTN line voltage (60-100 volts AC). A variable output (85-105dBA) is possible by means of a potentiometer located within the unit.



- Telephone line powered (no mains voltage required)

- Greatly reduced installation costs

- Penetrating output (105dBA typical)

- Volume control

- Available for hard wiring (screw or I.D.C.) or with 3 metre line cord and 431A plug

- IP66 Rated

- REN of 1.5

- Maintenance-free operation



Bedlam™ Loud Tonecaller

product data sheet



The Bedlam™ Loud Tonecaller is immune to 'bell tinkle' on UK PSTN telecom systems. Three versions are available at present:

- (T) Trade** – suitable for hardwiring
- (D) Domestic** – fitted with 3 metre line cord suitable for connection by the end user
- (EX) Non UK** – suitable for use outside of the UK.

Specification

Input Voltage:
60-100 volts AC

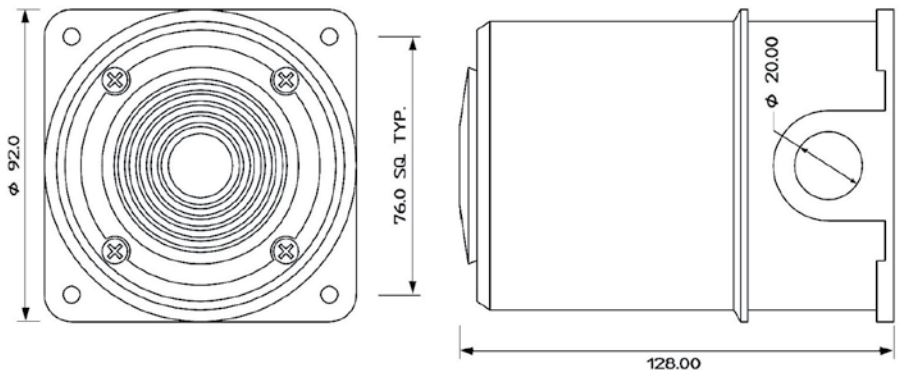
Output SPL:
85-105dBA nominal at 1 metre

Volume control:
Via variable potentiometer

Frequency:
120Hz modulated buzz

Waterproofing:
IP66 as standard

Colour:
Yellow case with black base



Trade Version (T)

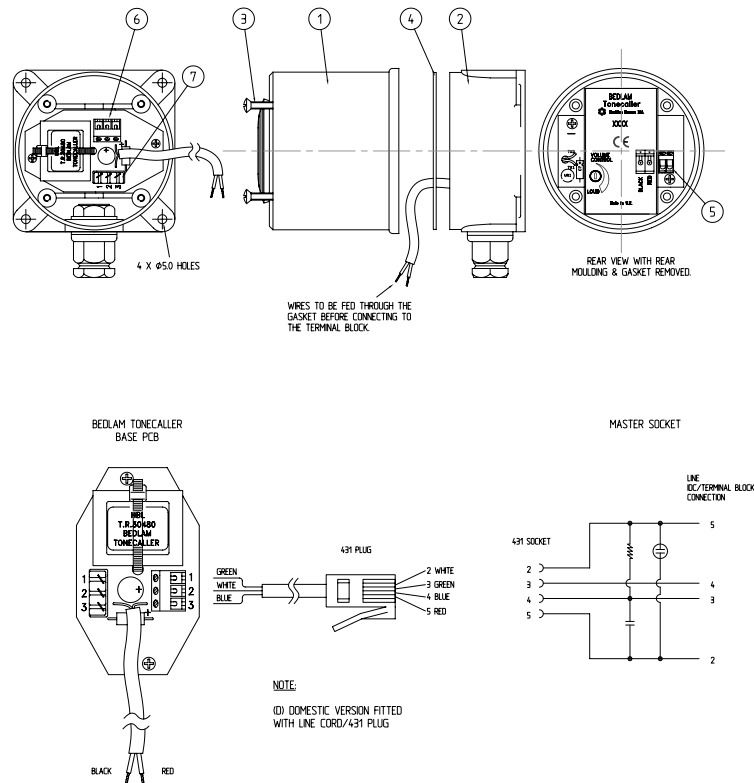
Hardwired using 7-7mm O/D cable via screw terminal block or I.D.C. Connector 238A
Product Order No: **8470800**

Domestic Version (D)

Connected to line Jack unit via three metre line cord and 431A plug
Product Order No: **8470700**

Non UK System Version (EX)

A trade version of Bedlam™ Loud Tonecaller for use on all systems where the bell capacitor is normally fitted to the telephone (this unit may be subject to the bell tinkle).



Every care has been taken in the preparation of this product release but no liability whatsoever can be accepted for the use of the information contained therein. Hosiden Besson Ltd reserve the right to change or amend any design features in line with our policy of continuing development and improvement.