

Handset Type 46 (Handset 28 replacement)

A robust handset constructed from flame retardant material fitted with a stainless steel armoured or curly cable that can be customised to suit many applications where durability is essential.



Latched cradle with hook switch

Option A
Stainless steel
armoured cable
or curly cord

Option B
PTT Switch

Option C
Noise cancelling

Option D
Various cable
terminations



Hang-up hook

● Robust and reliable

● Vandal resistant

● Customised handset specification

● Flame retardant construction

● Cable terminations to meet customer requirements

● Stainless steel armoured cable

● Durable polyurethane curly cord for flexibility

● Press To Talk (PTT) switch option

● Noise cancelling (NC) handset available



Hosiden Besson Ltd
12 St. Joseph's Trading Estate
St. Joseph's Close
Brighton & Hove
East Sussex BN3 7EZ, UK
Tel: +44 (0)1273 860000
Fax: +44 (0)1273 777501
Email: info@hbl.co.uk www.hbl.co.uk

Handset Type 46

product data sheet

Handset 46 offers the best solution for a reliable handset which is vandal-resistant, robust and meets all your requirements.



Handset specification

- Manufactured from flame retardant ABS/PC blend
- Fitted with a double clinched stainless steel armour or curly cable
- Customised specification to meet all requirements
- Various cable terminations to meet all requirements
- PTFE conductor wires meeting URL regulations
- Acoustic parameters to customised specification
- Single pole momentary switch sealed to IP67
- Handset weight 575 grams
- Length 210mm, width 53mm
- ESD protected to 2.2KV
- High power magnet fitted for reed relay operation

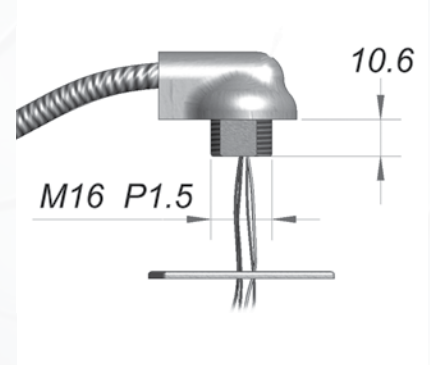


Cradle specification

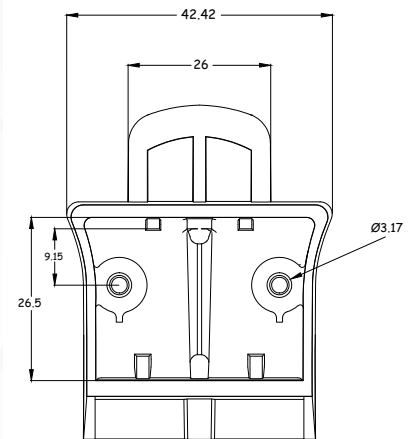
- Designed for use with Handset 46
- Manufactured from flame retardant ABS/PC blend
- Hook mechanism from durable nylon
- Spring fitted in accordance to vibration requirement as set out in RAI 20 section 6
- Length 250mm, width 70mm
- Mounting pitch of holes 121mm (As current standard)
- Optional centrally mounted hook switch

Hang-up hook specification

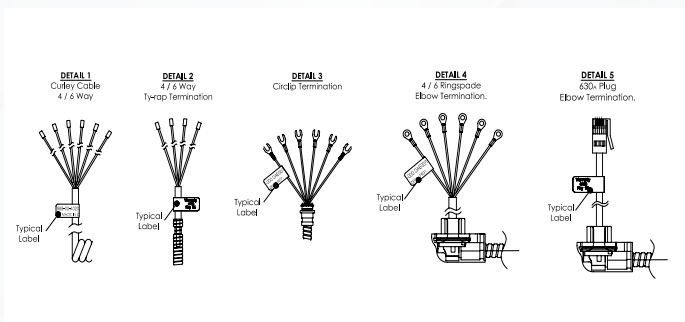
- Fitting includes Taptite fixing screws
- Robust design to meet ATEX requirements
- Single and dual reed relay hook switch options



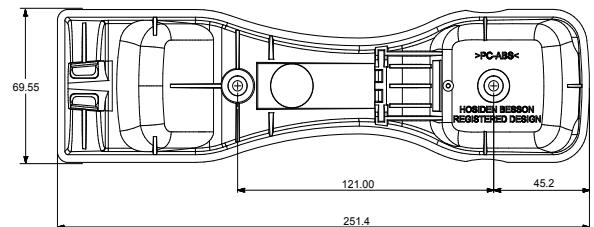
Elbow detail



Hang-up hook detail



Complete termination details



Cradle installation



Every care has been taken in the preparation of this product release but no liability whatsoever can be accepted for the use of the information contained therein. Hosiden Besson Ltd reserve the right to change or amend any design features in line with our policy of continuing development and improvement.