

Banshee Excel Lite™ LED Audible Warning Device

The new Banshee LED Excel Lite™ uses the latest LED technology to create an extremely efficient LED sounder/beacon combination, with the advantage of very low current consumption.

The unit is fitted with a rocking armature transducer and manufactured in a flame retardant polymer with a choice of base and lens colours.

The Banshee LED Excel Lite™ utilises the same easy push and twist bayonet fixing as the Banshee Excel™ and the original MT Banshee™.



Deep base with IP66 mounting accessory



Shallow base

Lens colours available



- Approved to EN54 - 3

- 0786-CPD-21062 and VdS

- Ultra low current consumption

- 32 user selectable tones

- Choice of 3 volume levels

- Rated IP66 or IP45

- Installation via side and rear cable entry

- Easy push and twist lockable bayonet mounting

- Temperature range from -20°C to +70°C

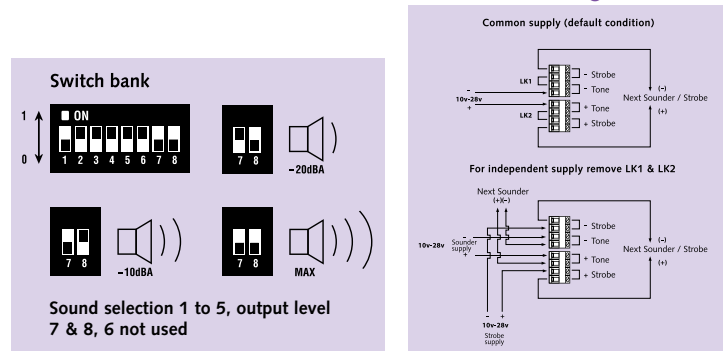
- Simple in and out wiring blocks

- Full range of accessories available



Hosiden Besson Ltd
12 St. Joseph's Trading Estate
St. Joseph's Close
Brighton & Hove
East Sussex BN3 7EZ, UK
Tel: +44 (0)1273 860000
Fax: +44 (0)1273 777501
Email: info@hbl.co.uk www.hbl.co.uk

Connection diagram



Banshee Excel Lite™ LED

product data sheet



Specification

Termination:	1 x 8 way terminal block. for screw terminals for 0.28mm ² to 2.5mm ² wire conductor
EN54-3 Voltage Range:	24VDC (20VDC to 28VDC)
Operating Voltage Range:	9VDC to 30VDC*
Current Consumption:	See Sound output table
Tone Synchronisation:	Synchronised start
Flash Rate:	1/Sec
Flash Current Consumption:	12mA @ 12VDC Typ 16mA @ 24VDC Typ
Operating Temperature:	-20°C to +70°C
Case Material:	ABS
Environment Category:	Type A
IP Rating:*	Shallow base IP45 Deep base IP66

Units meet minimum requirements of IP21C shallow base and IP33C Deep base in accordance with EN54-3 Specifications shown with an* have not been verified to be EN54-3 compliant.

Installation

All installation to be carried out by a competent person

IP66 Deep Base Moulding (weatherproof)

- To maintain IP rating when using a deep base, use wall mounting bracket Part Number: MM08728. Do not drill fixing holes in deep base. Use suitably rated 20mm cable glands to fit cables or conduit via side knock-outs. Fit 'O'-Ring seal between lens and base.

Non-IP66 Deep Base

- Knock out the conduit/cable gland holes in side of deep base.
- Fit conduit or 20mm cable glands then screw the base to the mounting surface or BESA box.

Shallow Base Moulding

- Drill mounting holes in the bottom of base for screw fixings.
- Route cable through rear hole or side knock-outs.
- Screw the base to the mounting surface or BESA box.

All fixings

- Connect unit as shown in connection diagram. Note: If independent supplies are required for the sounder and the beacon elements, remove LK1 and LK2.
- Place the Excel Lite onto the base and turn clockwise to retain.
- To remove the Excel Lite turn unit counter-clockwise.
- Where applicable, fit the security screw through the hole in the side of the lens assembly.

Sound Output Table

No.	Sound Frequencies and Patterns	code 12345	Description	EN54-3 28Vdc see notes	Typ SPL@1m on axis		Typ Current mA	
					12V	24V	12V	24V
1	800Hz to 950Hz swept at 120Hz	00000	Banshee Buzz LF	-	94	100	6	12
2	800Hz to 950Hz swept at 9Hz	10000	Banshee Fast Sweep LF	✓	94	100	6	12
3	800Hz to 950Hz swept at 3Hz	01000	Banshee Slow Sweep LF	-	94	100	6	12
4	Continuous at 900Hz	11000	Banshee Continuous LF	-	94	100	6	12
5	830Hz to 970Hz swept at 9Hz	00100	Banshee Fast Sweep LF (New)	-	93	100	6	12
6	800Hz to 970Hz swept at 1Hz	10100	Medium Sweep LF	✓	94	100	6	12
7	Continuous at 950Hz	01100	Continuous LF	-	94	99	6	13
8	Intermittent at 950Hz 1s on, 1s off	11100	Backup Alarm LF	-	93	99	7	14
9	Alternating 800Hz/1000Hz at 1Hz	00010	Alternate LF	-	94	100	6	13
10	800Hz/1000Hz swept at 0.5s	10010	Medium Sweep LF	-	94	100	6	12
11	Alternating tones 800/950Hz at 3Hz	01010	Alternate LF	-	94	101	6	12
12	2400Hz to 2900Hz at 120Hz	11010	Banshee buzz HF	-	102	109	16	35
13	2400Hz to 2900Hz at 9Hz	00110	Banshee Fast Sweep HF	-	103	110	17	35
14	2400Hz to 2900Hz at 3Hz	10110	Banshee Slow Sweep HF	-	103	110	17	35
15	Continuous 2900Hz	01110	Banshee Continuous HF	-	103	109	19	39
16	2450Hz to 3100Hz swept at 9Hz	11110	Banshee Fast Sweep HF (New)	-	103	109	18	36
17	Intermittent at 2900Hz 1sec on, 1sec off	00001	Backup Alarm HF	-	103	109	18	36
18	Alternating tones 2400/2900Hz at 3Hz	10001	Alternate HF	-	104	110	16	36
19	500Hz rising to 1200Hz over 3.5 sec, silence 0.5sec.	01001	Slow Whoop	✓	95	101	6	12
20	1200Hz falling to 500Hz over 1sec, silence 10mS	11001	Din Tone (DK)	✓	93	100	5	10
21	554Hz for 100ms and 440Hz for 400mS	00101	French Fire Sounder	✓	90	96	4	7
22	420Hz repeating 0.625 sec on, 0.625 sec off	10101	Australian Alert Signal	-	89	94	3	6
23	500Hz to 1200Hz sweeping 3.75 secs on, 0.25 secs off	01101	Australian Evacuation Signal	-	95	101	6	12
24	950Hz for 0.5s on 0.5s off, for 3 phases, silence for 1.5s	11101	US Temporal Tone LF	-	93	99	5	10
25	2900Hz for 0.5s on 0.5s off, for 3 phases, silence for 1.5s	00011	US Temporal Tone HF	-	103	109	13	26
26	Intermittent 660Hz 150mS on, 150mS off	10011	Swedish Tone (Fire)	-	90	96	3	6
27	Continuous 660Hz	01011	Swedish Tone (All Clear)	-	91	97	5	9
28	Intermittent 970Hz 500mS on, 500mS off	11011	ISO8201 LF	-	90	96	5	10
29	Intermittent 2900Hz 500mS on, 500mS off	00111	ISO8201 HF	-	103	109	13	27
30	Yodel 800Hz/1000Hz, 0.25 sec	10111	BT Banshee (FP1063.1)	-	94	100	6	12
31	Continuous 1000Hz	01111	BT Banshee (FP1063.1)	-	88	94	6	14
32	Bell Tone	11111	Bell Tone	-	94	99	12	25

- Volume control providing up to 20dB attenuation. All frequencies are nominal.
- Column EN54-3 shows tones approved under the Construction Product Directive.
- Polar diagram information is available in the technical manual, available on request.



Every care has been taken in the preparation of this product release but no liability whatsoever can be accepted for the use of the information contained therein. Hosiden Besson Ltd reserve the right to change or amend any design features in line with our policy of continuing development and improvement.